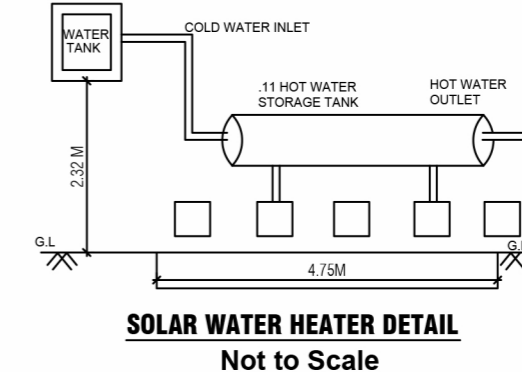
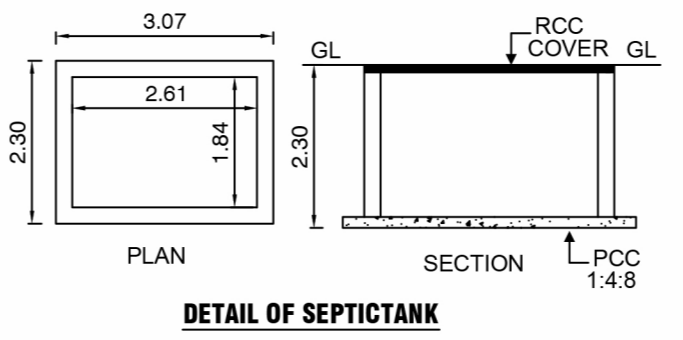
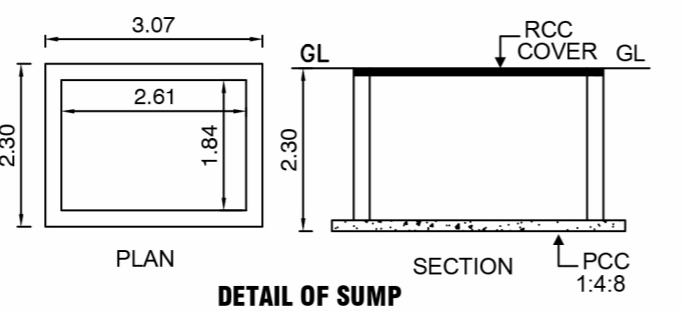
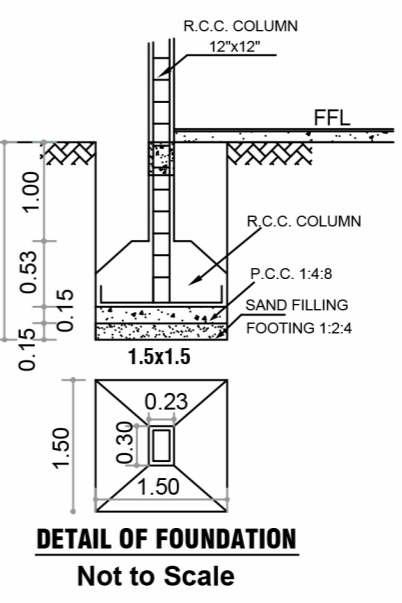
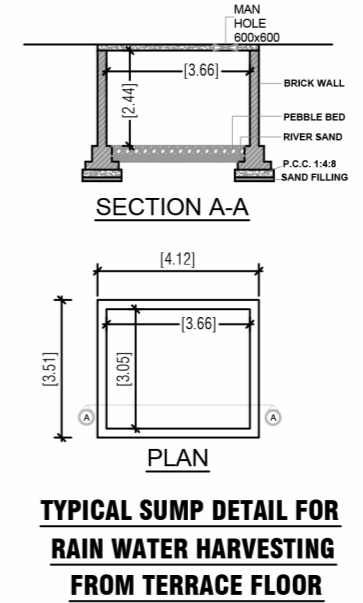
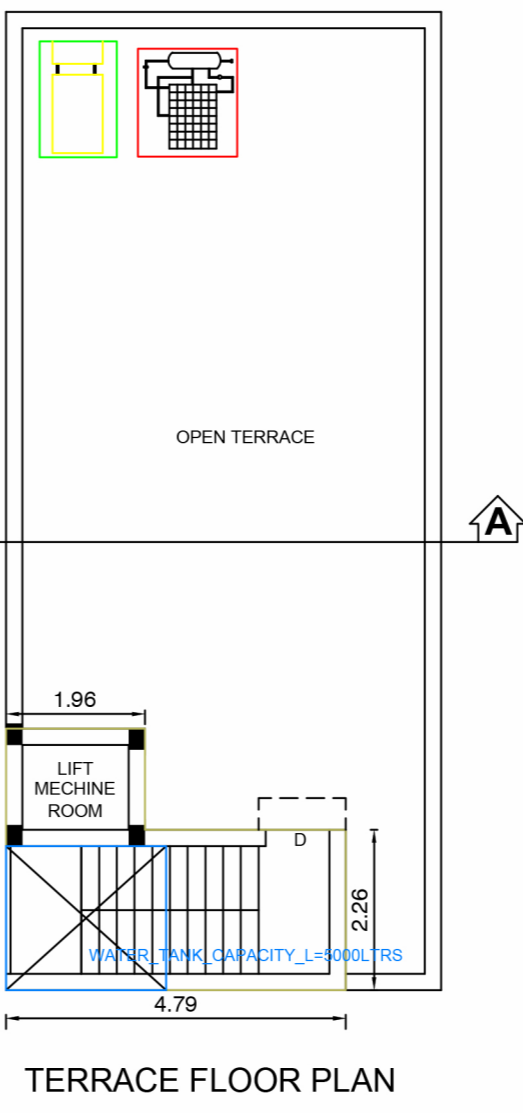
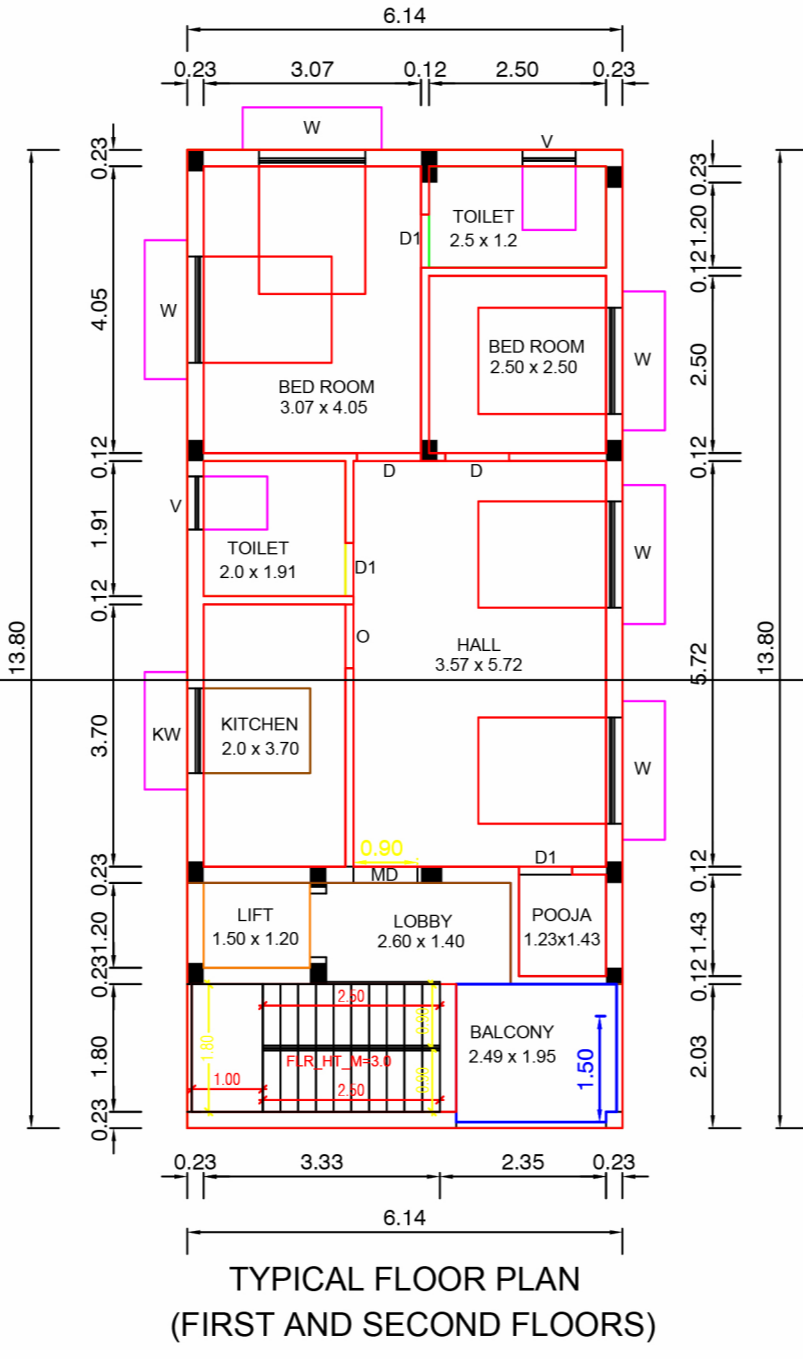
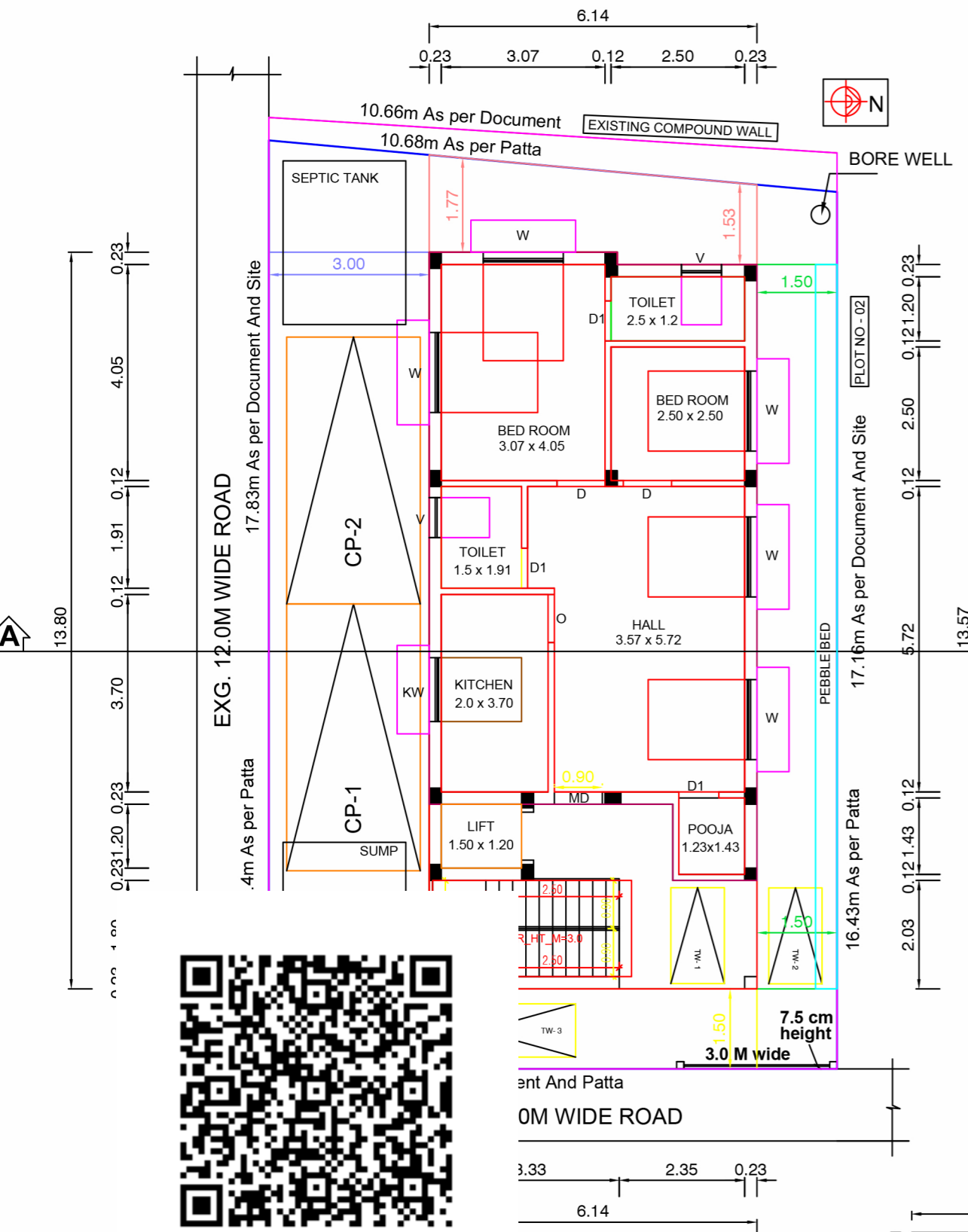
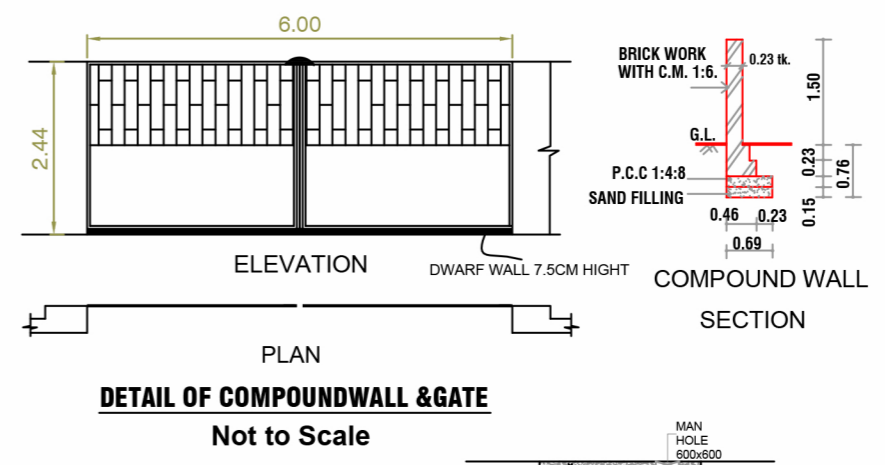
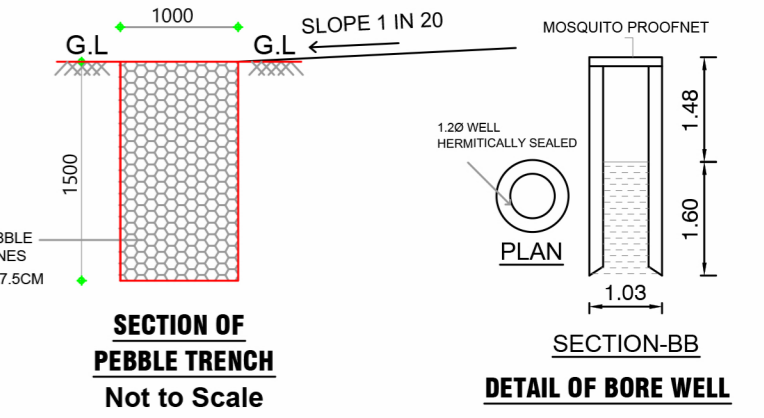
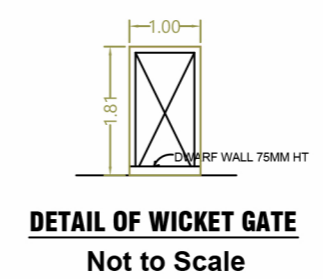
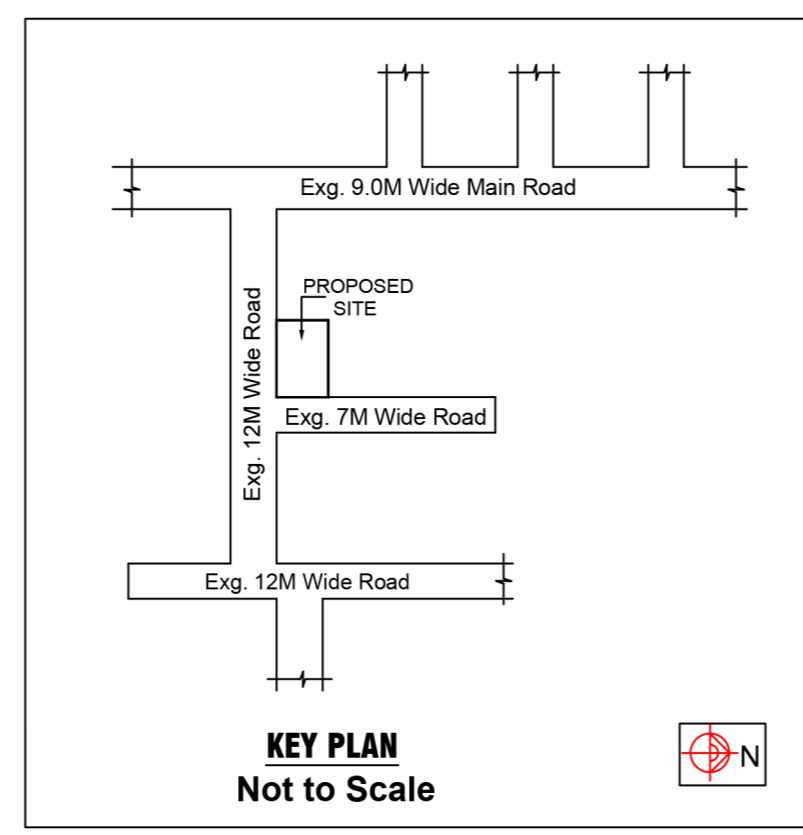
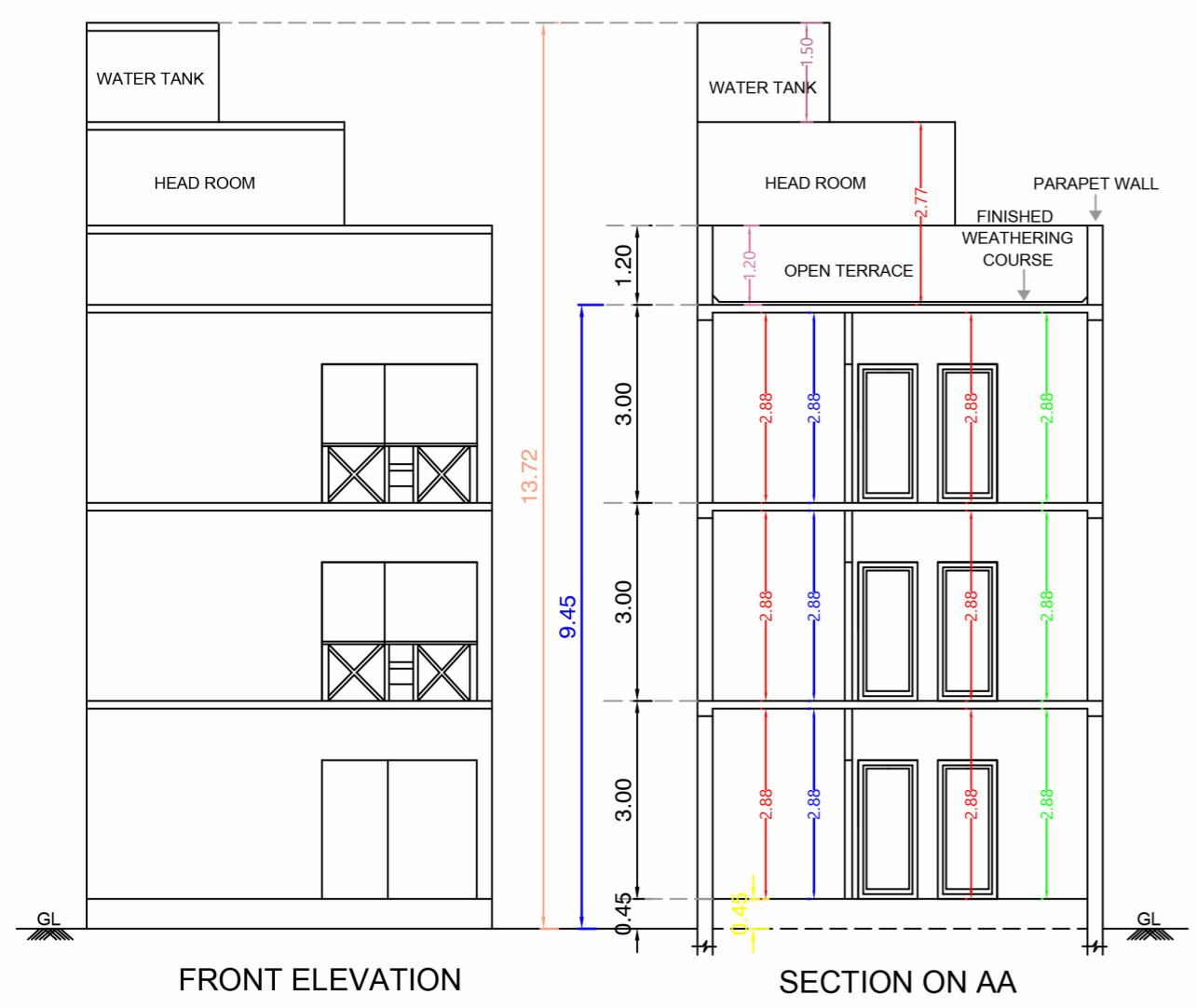


Plan Showing The Proposed Construction Of Residential Building [Ground +2 Floor] At Plot No-1, Raghavendra Nagar, In S.No.391/42, As Per Patta No-7977 (Old S.No-391/4B) Of Kayarambedu Village, Chengalpet Taluk, Chengalpet District, Kattankalathur Panchayat union and Kayarambedu Panchayat Limits.

D.T.C.P Layout
Approved No
L.P/D.T.C.P NO- 133/2007



CMDA LANDUSE ZONE: PRIMARY RESIDENTIAL		SCALE - 1:100
JOINERIES		
MAIN DOOR	MD	1.00 X 2.13
DOOR	D1	0.90 X 2.13
DOOR	D2	0.75 X 2.13
OPEN	O	0.75 X 2.13
WINDOW	W	1.50 X 1.80
KITCHEN WINDOW	KW	1.20 X 1.50
VENTILATOR	V	0.75 X 0.90
COLOUR INDEX		STAIRCASE
PROPOSED ROAD	○	WIDTH - 0.90
SITE BOUNDARY	○	RISER - 0.15
		TREAD - 0.25

ALL DIMENSION ARE IN Mtr		
EXTENT IN	SFT	SMT
PLOT AREA (AS PER SITE)	2,004.00	186.17
PLOT AREA (AS PER DOCUMENT)	2,004.00	186.17
PLOT AREA (AS PER FMB)	1,937.52	180.00
SUPER IMPOSED PLOT AREA	1,937.52	180.00
PLINTH AREA OF G.FLOOR	905.80	84.15
PLINTH AREA OF F.FLOOR	912.25	84.75
PLINTH AREA OF S.FLOOR	912.25	84.75
TOTAL AREA	2,730.30	253.65
F.S.I 1.41	COVERAGE	47.08 %
NON F.S.I AREA		
HEADROOM AND LIFT MACHINE ROOM AREA	146.82	13.64
TOTAL NON F.S.I AREA	146.82	13.64
TOTAL FSI & NON F.S.I AREA	2,877.12	267.29
COMPOUND WALL (RM)		49.0M (161'-0")

APPLICANT:
[Signature]

REGISTERED PROFESSIONAL
[Signature]

ROYAL DESIGNERS
A. HEMAVATHY
Registered Architect in D.T.C.P.
CGLRGN / RA / GR II / 2019 / 06 / 002
Cell: 94444 74927

ROYAL DESIGNERS
REGISTERED ARCHITECT (grade-2)
IN CMDA, DTCP, GCC,
TAMBARAM CITY MUNICIPAL CORPORATION
royaldesigners08@yahoo.co.in
CELL-94444 74927

