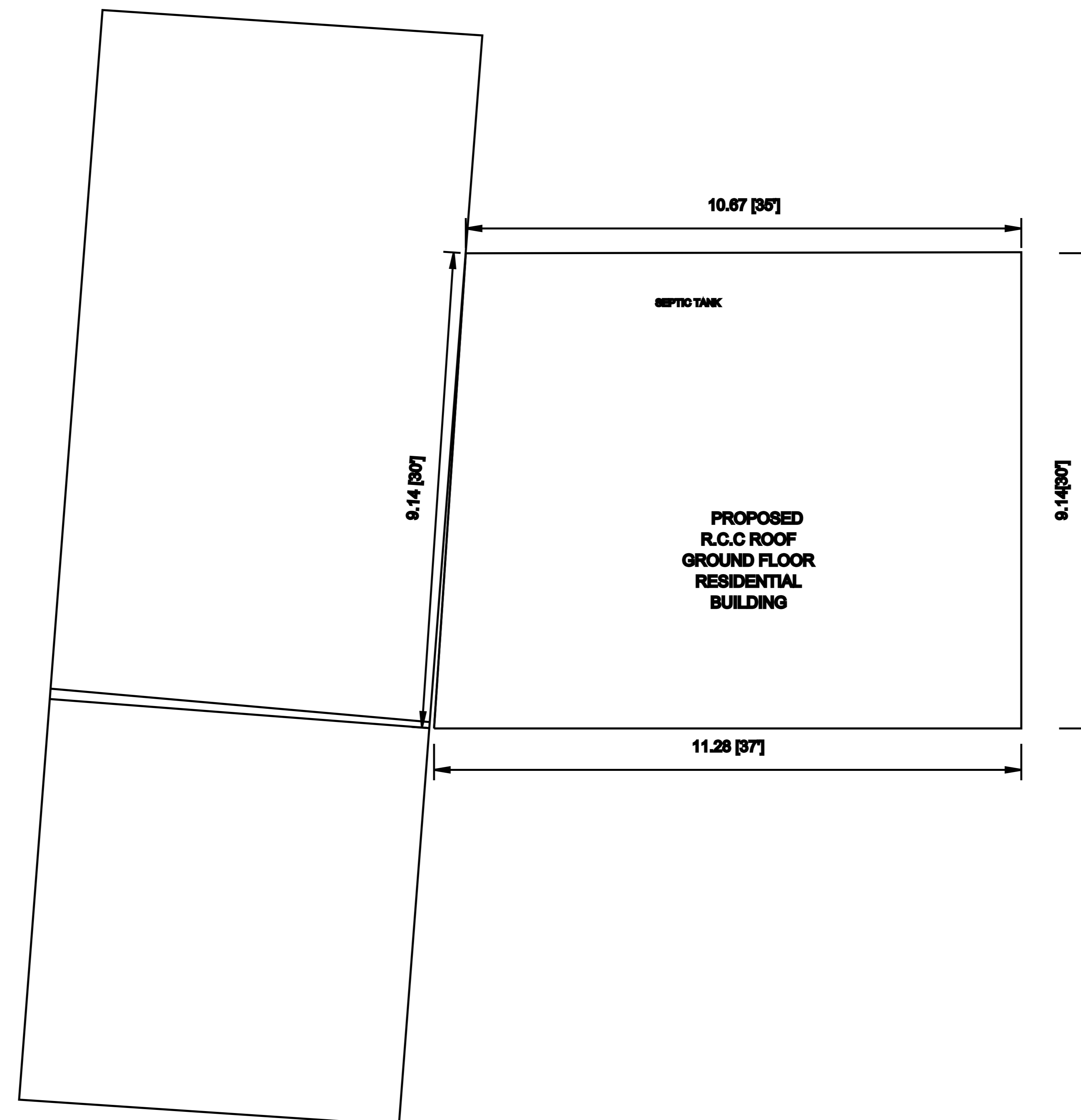
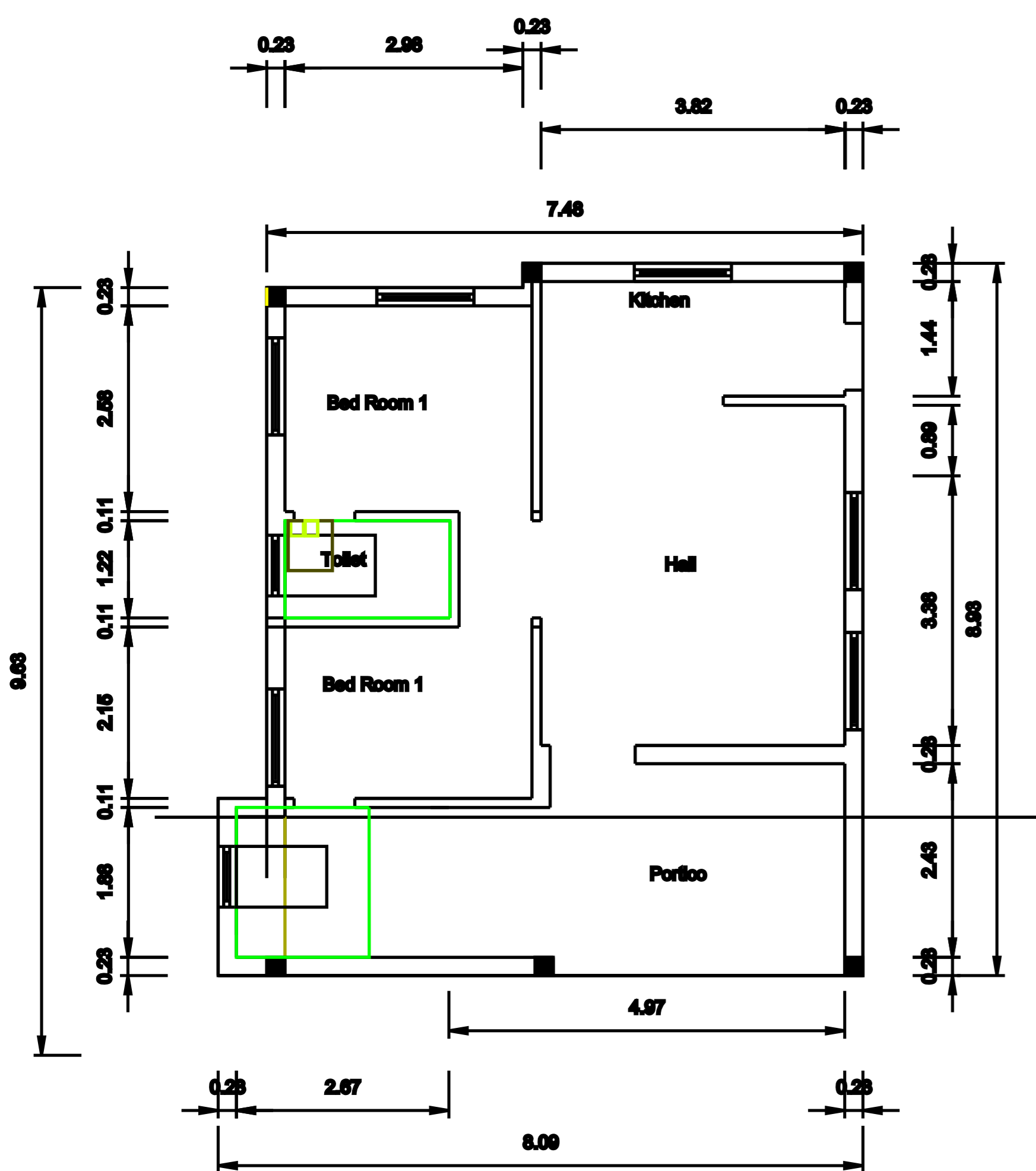
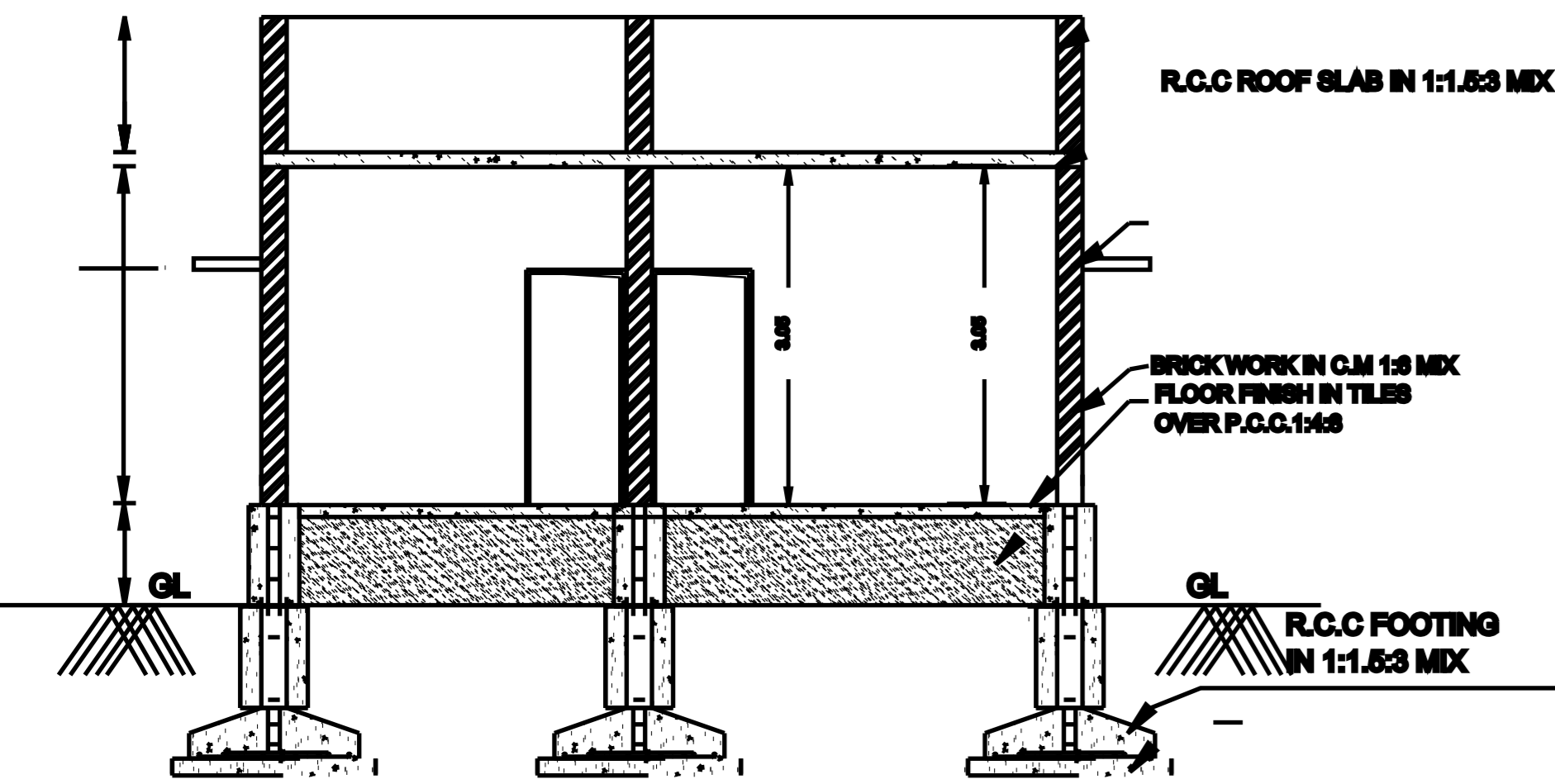
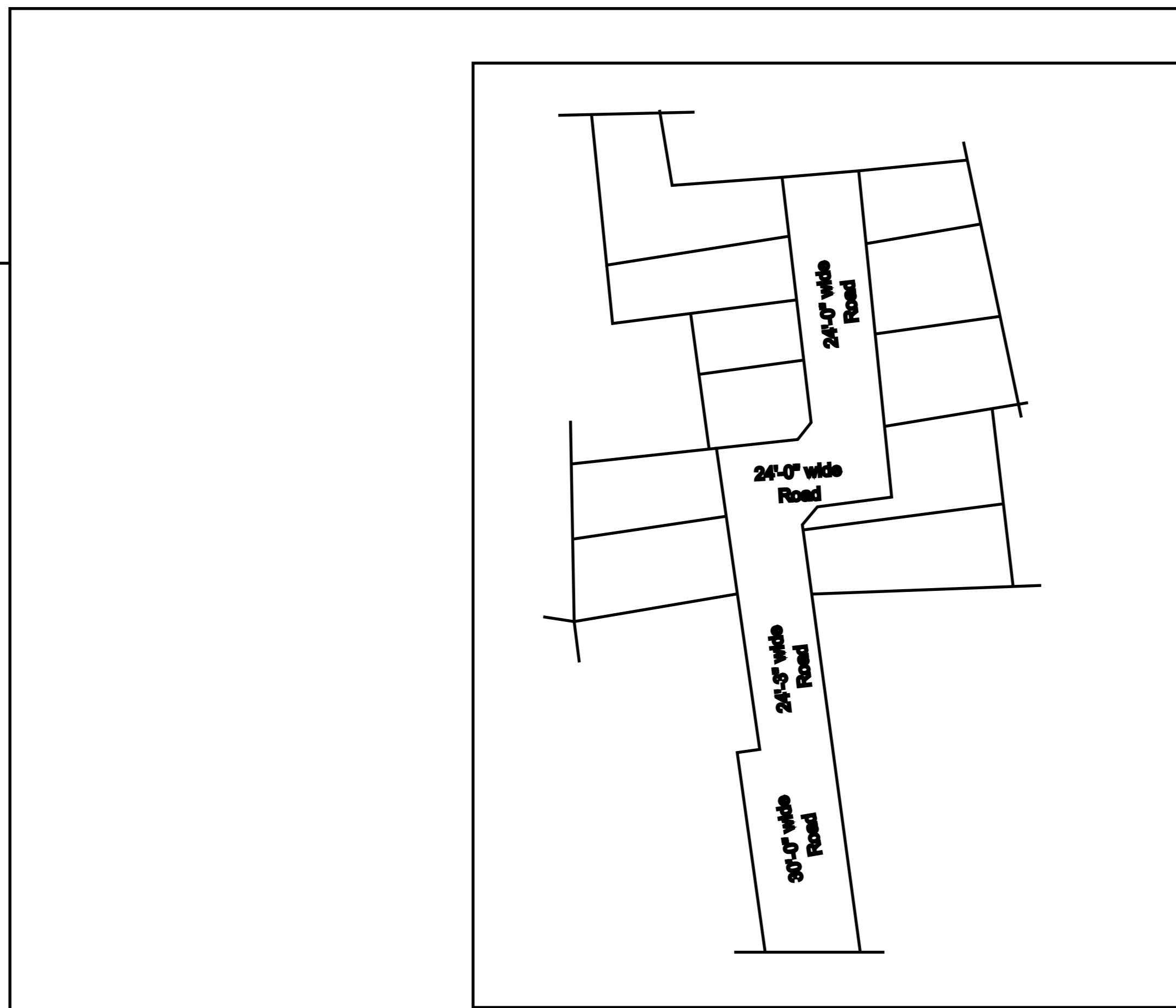
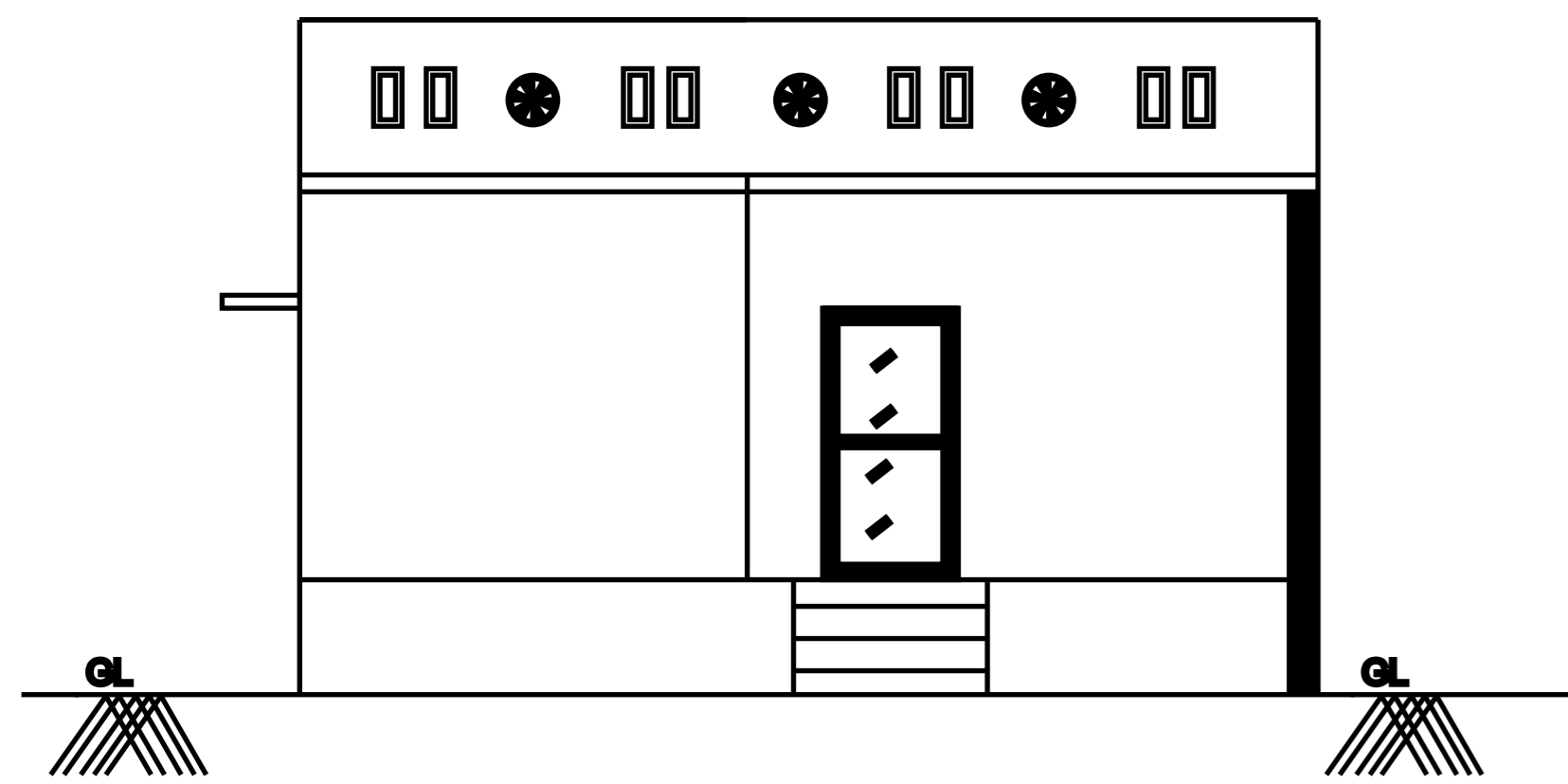
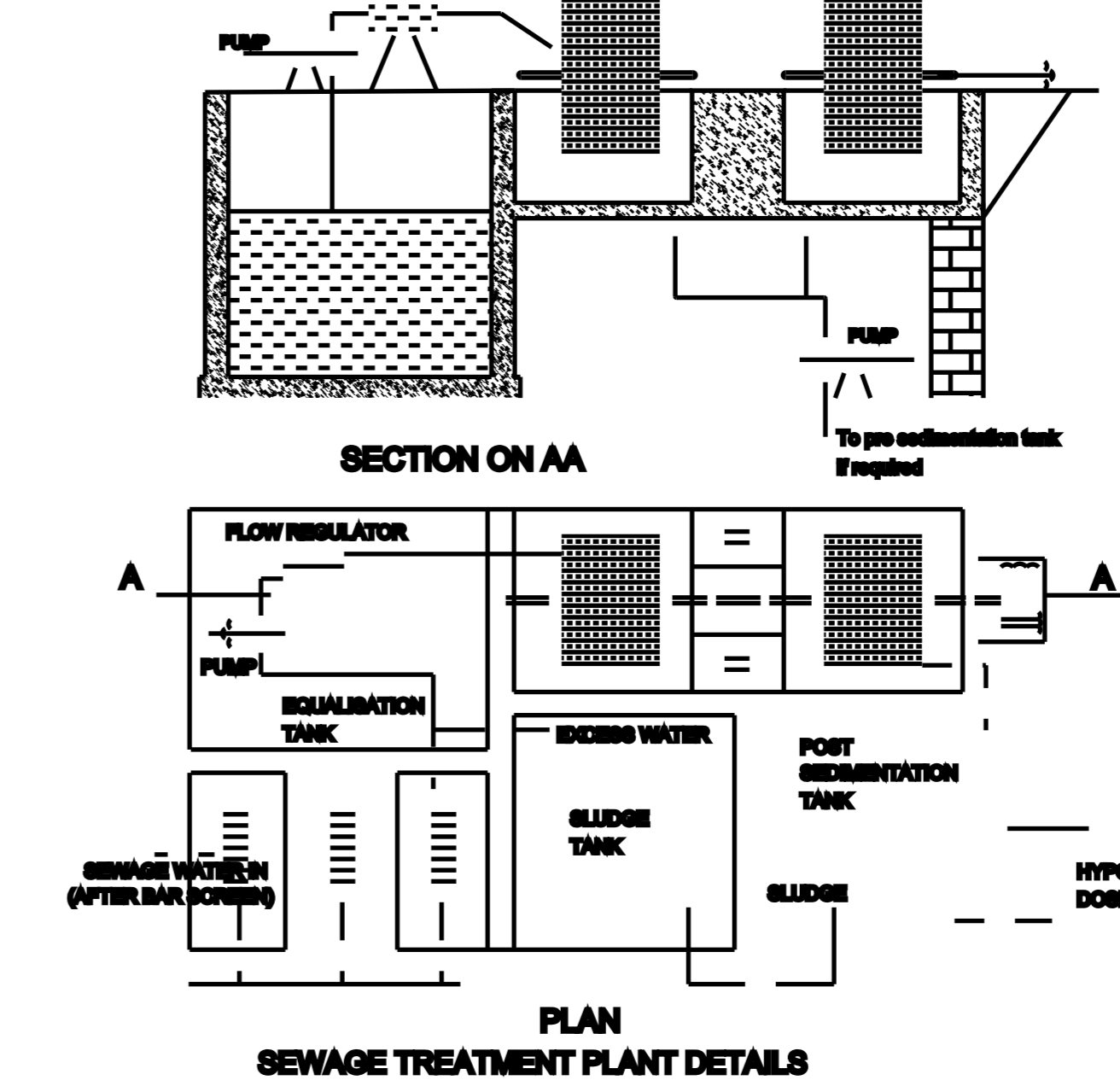
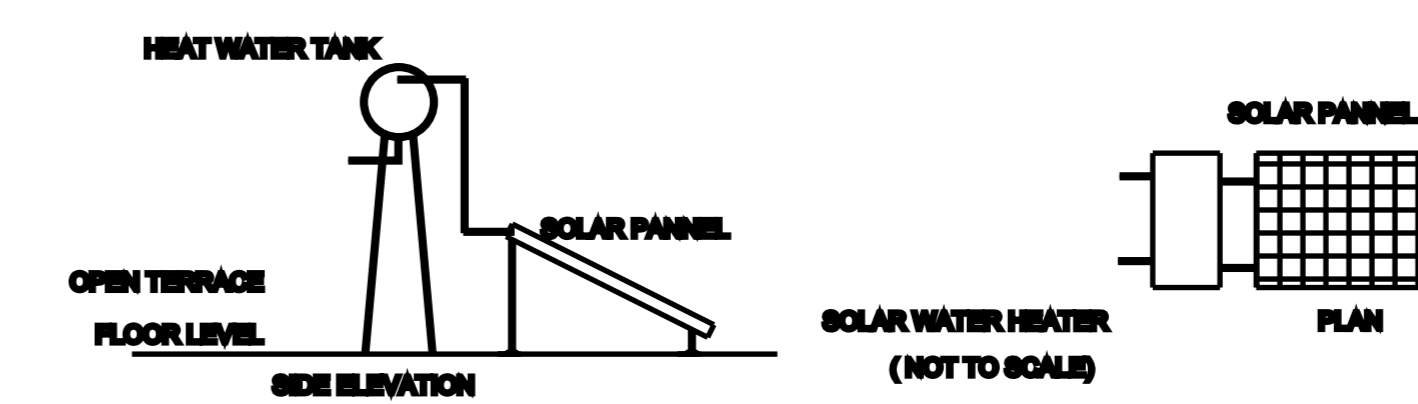


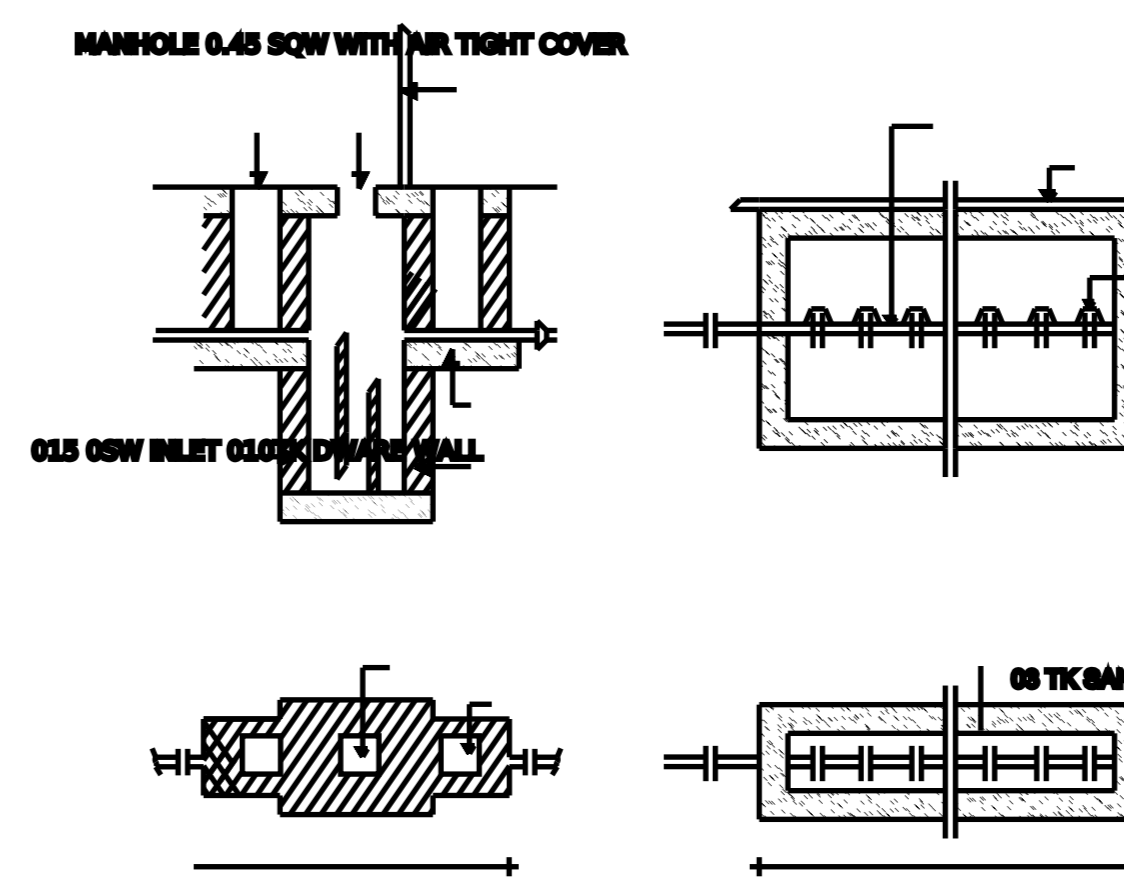
SITE AND DETAILED PLAN SHOWING THE PROPOSED CONSTRUCTION OF R.C.C ROOF GROUND FLOOR RESIDENTIAL BUILDING IN OLD S.NO:146/13A, NEW SURVEY NO.146/12B & 146/13A2 BEARING PATTA NO.3429, PLOT NO-9, DASARA BHOOMI, THANDALAMVILLAGE & PANCHAYAT, THIRUPORUR TALUK, CHENGALPATTU DISTRICT.



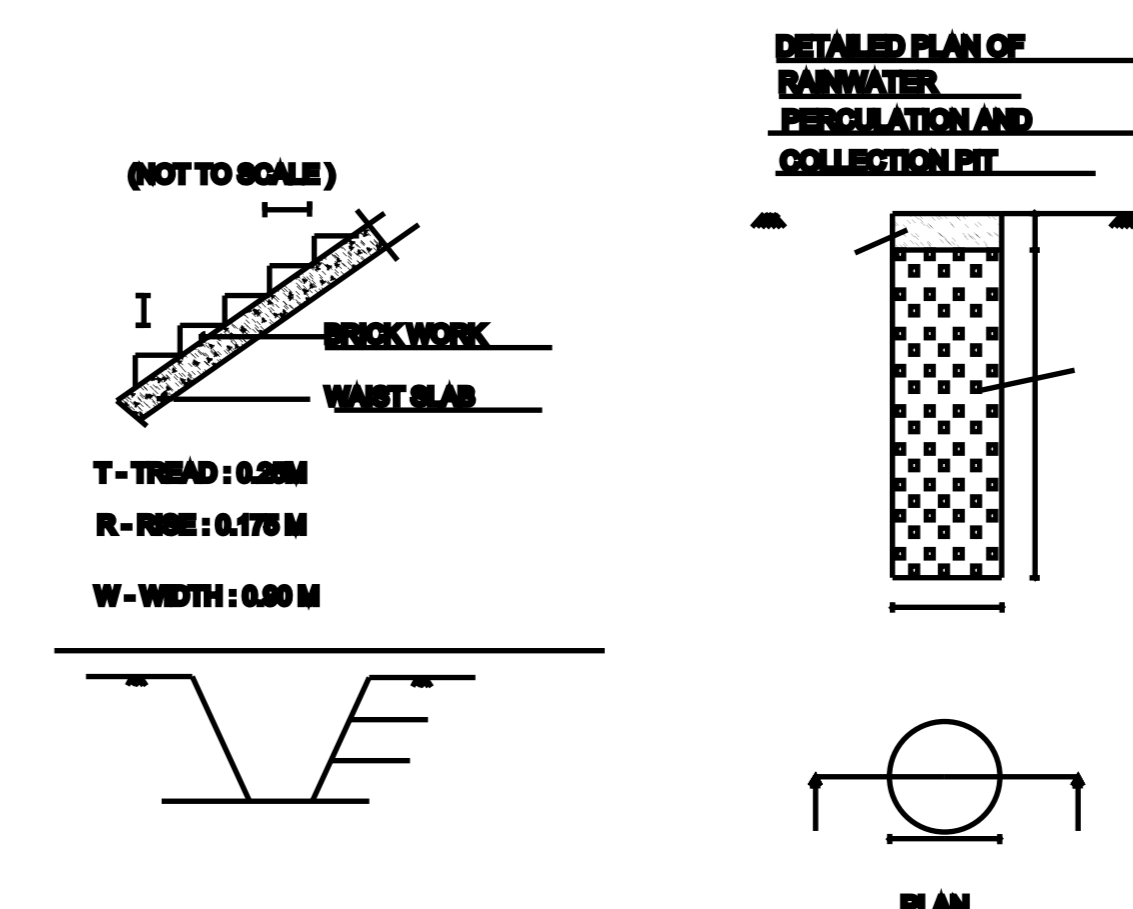
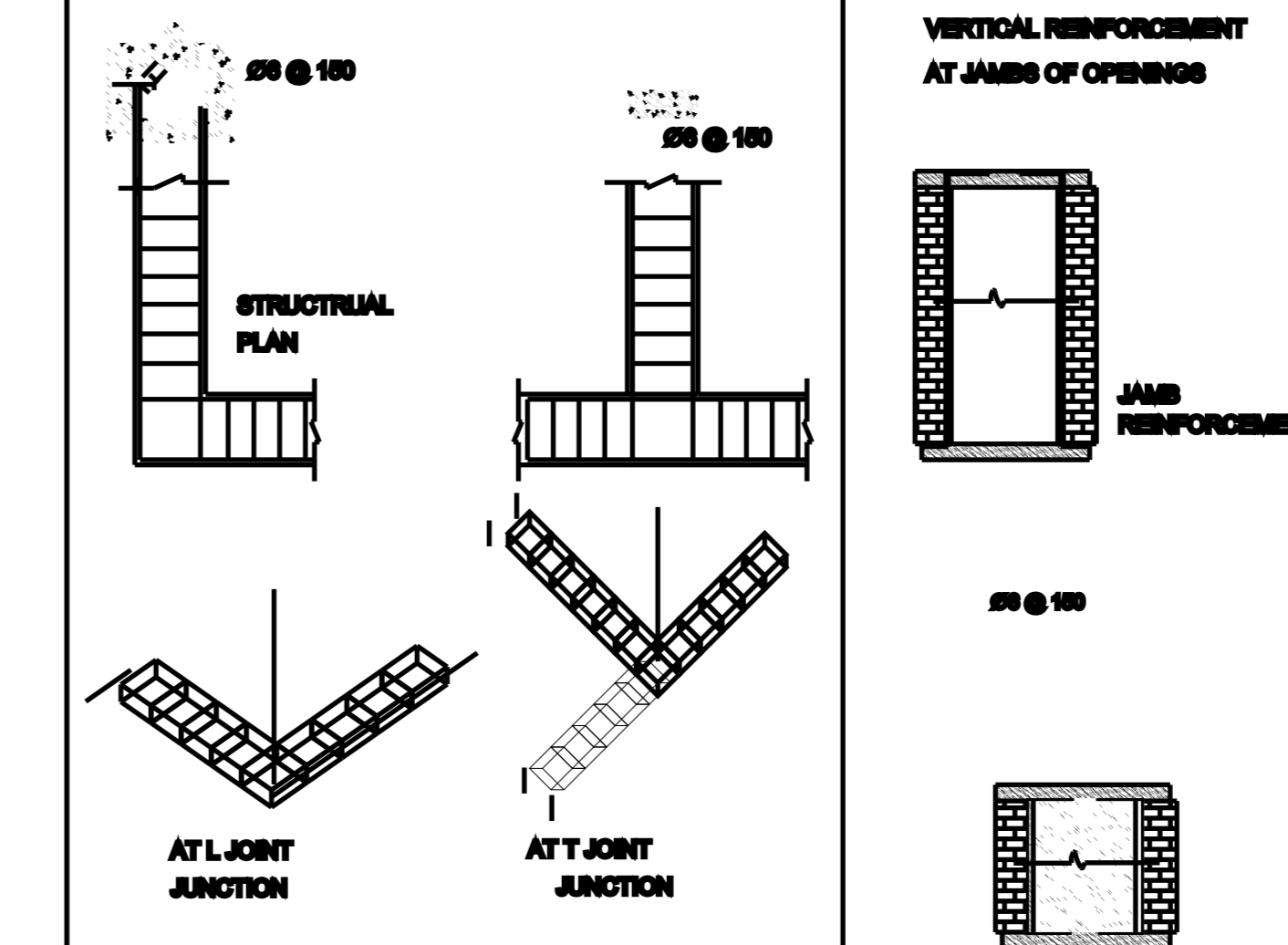
(SCALE 1: 100)



DETAILED DRAWING FOR SEPTIC TANK WITH DISPERSSION TRENCH 225 GALLONS CAPACITY OF 3000 LITRE



DETAILS OF EARTHQUAKE :



	SQ.M	SQ.FEET
AREA OF THE SITE AS PER DOCUMENT	101.26	
AREA OF THE SITE AS PER PATTA	100.22	
AREA OF THE SITE AS PER SITE	100.22	
SUPER IMPOSED PLOT AREA	100.22	
GROUND FLOOR BUILDING	67.21	
TOTAL PLINTH AREA	67.21	
AREA OF OPEN SPACE	33.62	
CARS SPACE	-	-
TWO WHEELER SPACE	2	2
FBI	1.50	
PLOT COVERAGE		

MD - DOOR 1.52 X 2.13	W - WINDOW 1.22 X 1.22
D - DOOR 0.91 X 2.13	W1 - WINDOW 1.52 X 1.52
D1 - DOOR 0.76 X 2.13	W2 - WINDOW 0.91 X 1.22
O - OPEN 0.91 X 2.13	
V - VENTILATOR 0.91 X 0.91	

