

**PLAN SHOWING THE PROPOSED CONSTRUCTION OF G.FLOOR & F.FLOOR(Part) RESIDENTIAL BUILDING WITH 1 DWELLING UNIT AT PLOT NO: 76, "SRI SAINATHAPURAM", IN OLD SURVEY NO: 379/2B, NEW SURVEY NO.379/2B1A1A1A, AS PER PATTI (NO.7490) SURVEY NO: 379/58, OF KALVOY VILLAGE & PANCHAYAT, VANDALUR TALUK, CHENGALPATTU DISTRICT, KATTANKOLATHUR PANCHAYAT UNION LIMIT.**

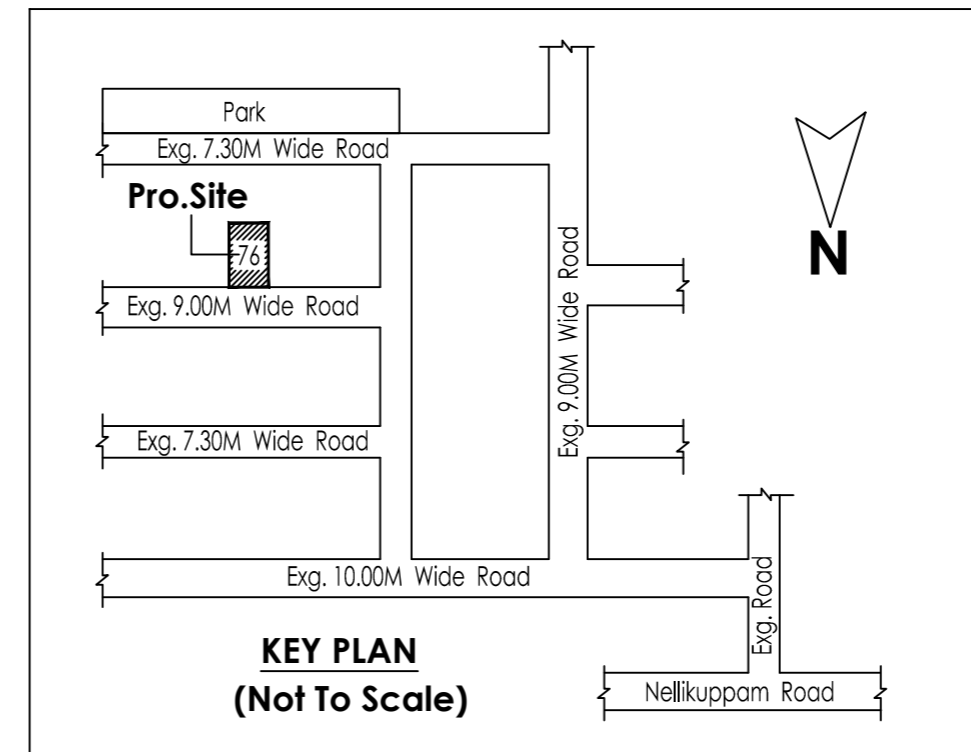
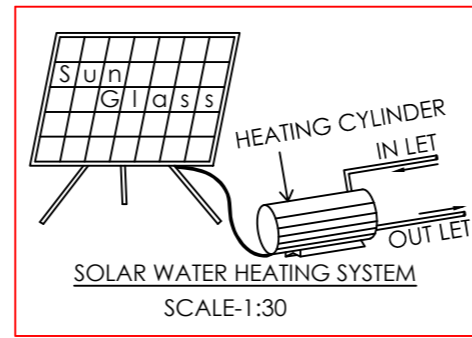
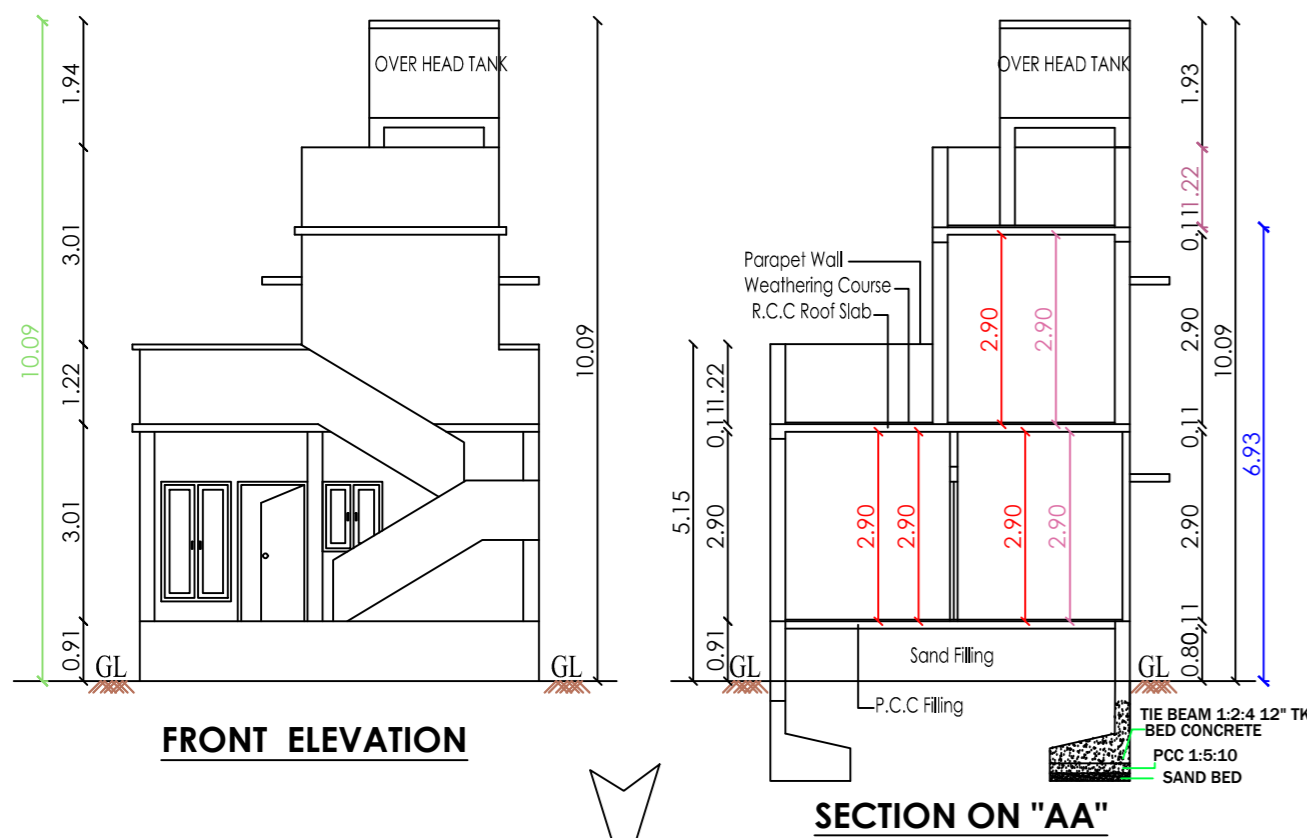
(Layout Approved by DDTCF(Cr) No. 81/2021, TN RERA No. TN/01/LAYOUT/3857/2022)

**PLAN INFO**

PLOT_NO=76	SURVEY_NO=379/58	PA
TALUK=VANDALUR	DISTRICT=CHENGALPATTU	CR
SINGLE_FAMILY_BLDG=YES	IS_APPROVED_LAYOUT=YES	SEC
AREA_TYPE=EWS	OSR_APPLICABLE=NO	FM
PREMIUM_FSI_REQUIRED=NO	LAND_USE_ZONE=RESIDENTIAL	AS
AS_PER_DOCUMENT=55.75	PLOT_AREA_M2=55.75	AV
ACCESS_WIDTH_M=9.00	AVG_PLOT_DEPTH=9.14M	JUI
ROAD_WIDTH=9.00	ROAD_LENGTH=33.73	
RWH_DECLARED=YES	IS_SWIMMING_POOL_EXISTS=NO	
WHETHER_GOVT_OR_AIDED_SCHOOL=NO	BUILDING_NEAR_GOVT_BLDG=NO	
BUILDING_NEAR_TO_RIVER=NO	IF_HERITAGE_TOWN_LESS_THAN_1KM_RADIUS=NO	
BUILDING_NEAR_MONUMENT=NO	NOC_FOR_CONSTRUCTION_NEAR_MONUMENT=NO	



AYAT



**AREA DETAILS:**

	SQ.FT	SQ.M
PLOT AREA (AS PER PATTI)	602.78	56.00
PLOT AREA (AS PER DOC)	600.00	55.74
PRO.GROUND FLOOR AREA	439.70	40.85
PRO.FIRST FLOOR AREA	144.45	13.42
TOTAL F.S.I AREA	584.15	54.27
PLOT COVERAGE	73.28 %	
F.S.I	0.97	

**SCHEDULE OF JOINERY:**

MD	MAIN DOOR	3'-3" x 7'-0"	(1.00 x 2.13)
D1	DOOR	3'-0" x 7'-0"	(0.91 x 2.13)
D2	DOOR	2'-6" x 7'-0"	(0.76 x 2.13)
OP	OPENING	2'-6" x 7'-0"	(0.76 x 2.13)
W	WINDOW	4'-6" x 4'-6"	(1.37 x 1.37)
KW	KITCHEN WINDOW	3'-0" x 3'-6"	(0.91 x 1.07)
FW	FRENCH WINDOW	3'-6" x 6'-0"	(1.07 x 1.83)
V	VENTILATOR	2'-6" x 2'-3"	(0.76 x 0.68)

**COLOUR INDEX:**

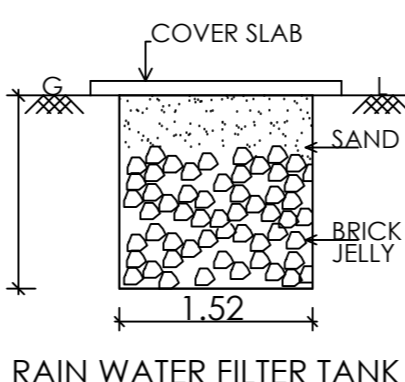
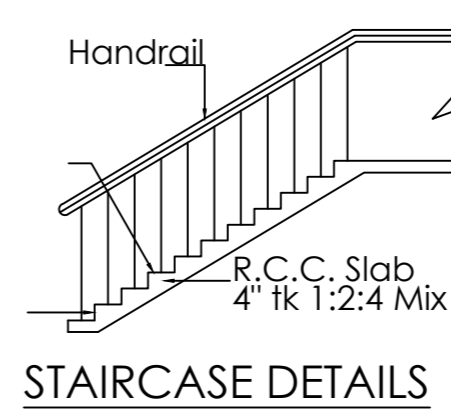
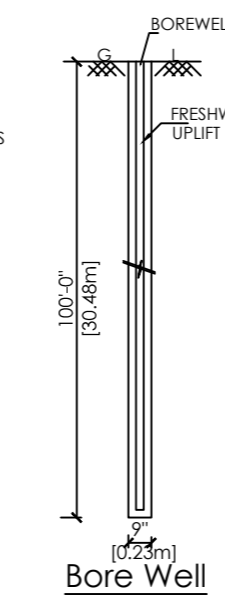
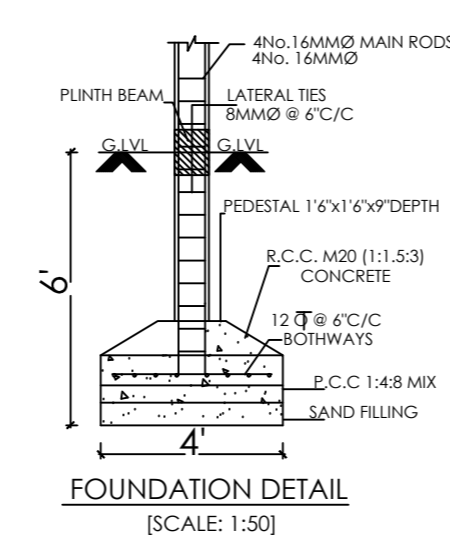
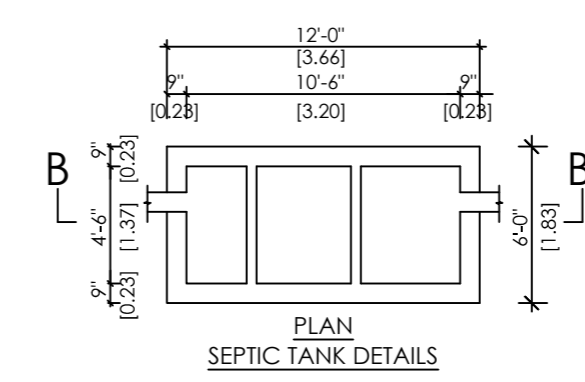
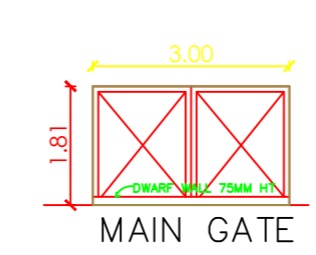
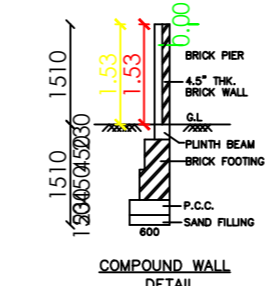
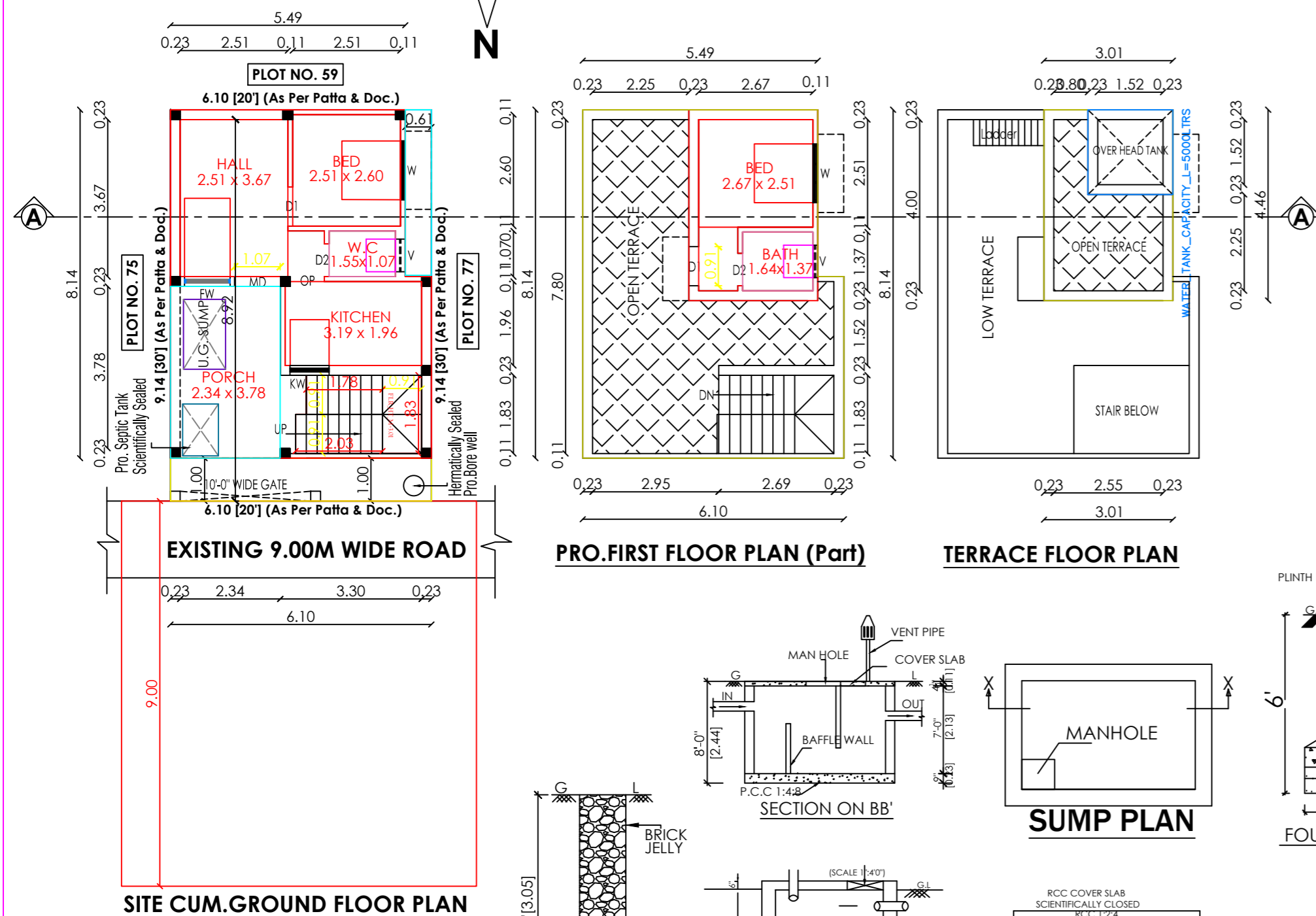
PROPOSED BUILDING	TREAD	10"(0.25)
EXISTING ROAD	RISER	6"(0.15)
SITE BOUNDARY LINE	WIDTH	3'(0.91)

**STAIRCASE DETAILS:**

SCALE : 1"-8'.0" ( 1 : 100)

**OWNER:**

**LICENSED SURVEYOR:**



- SPECIFICATIONS:**
- \* R.C.C FOUNDATION IN C.M 1:5 OVER 6" TK P.C.C 1:5:10 OVER 6"TK SAND FILLING.
  - \* BASEMENT WITH BRICK WORK IN C.M 1:5 OVER 6" TK R.C.C TIE BEAM 1:2:4.
  - \* TILES FLOORING OVER 4"TK P.C.C 1:5:10 6" TK SAND FILLING.
  - \* 9" TK BRICK WALL IN C.M 1:3.
  - \* R.C.C ROOF SLAB 1:2:4 MIX 41/2" TK.