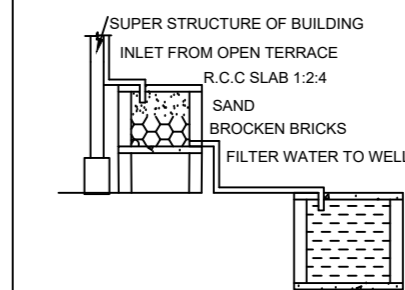
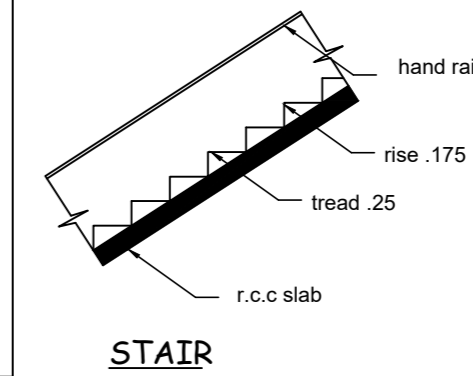
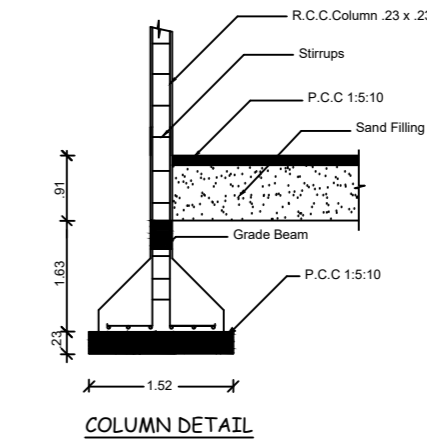
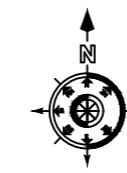
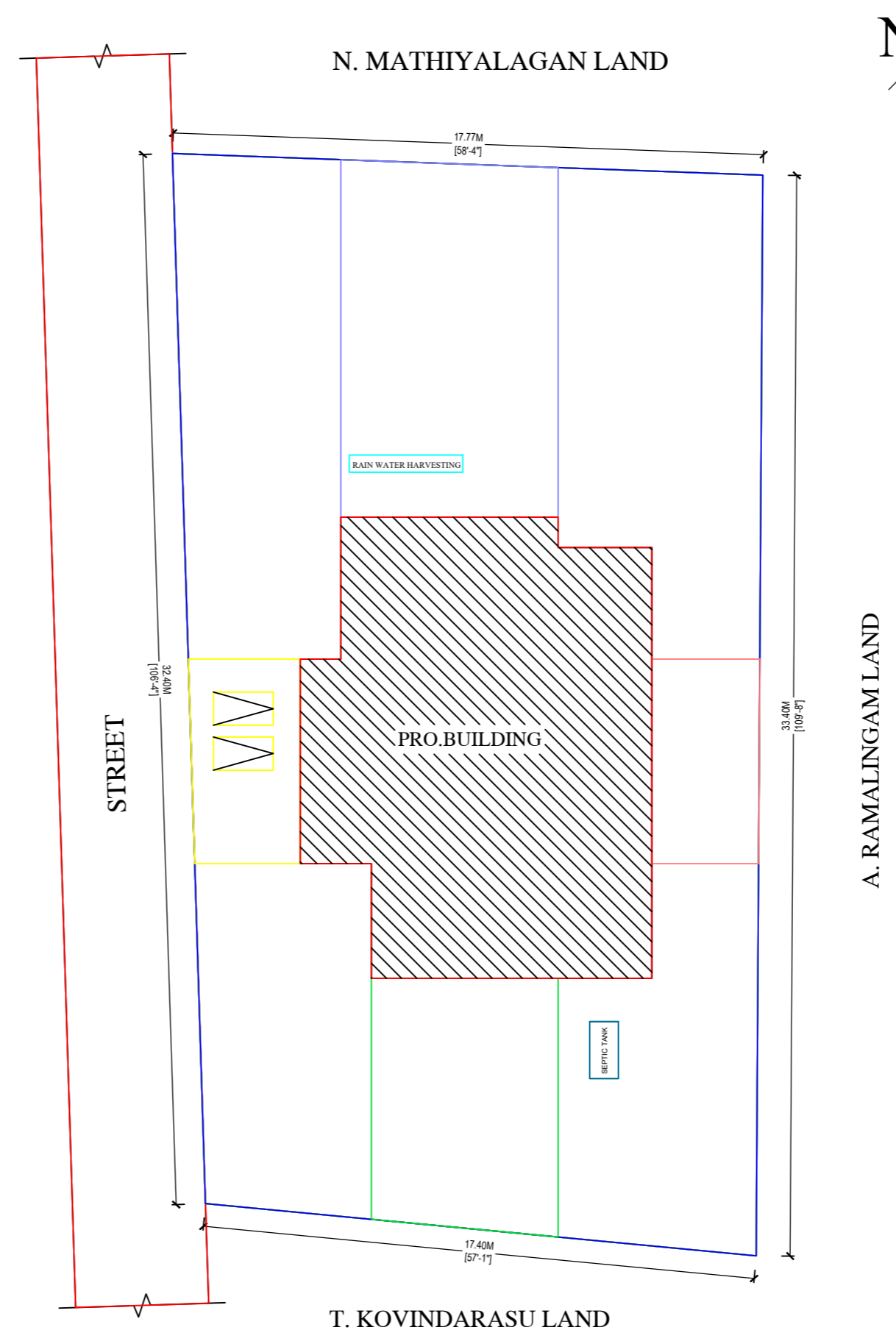
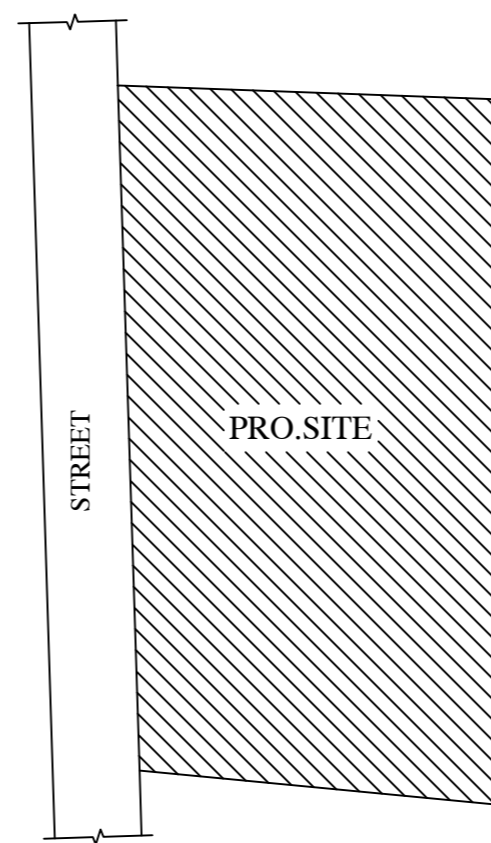
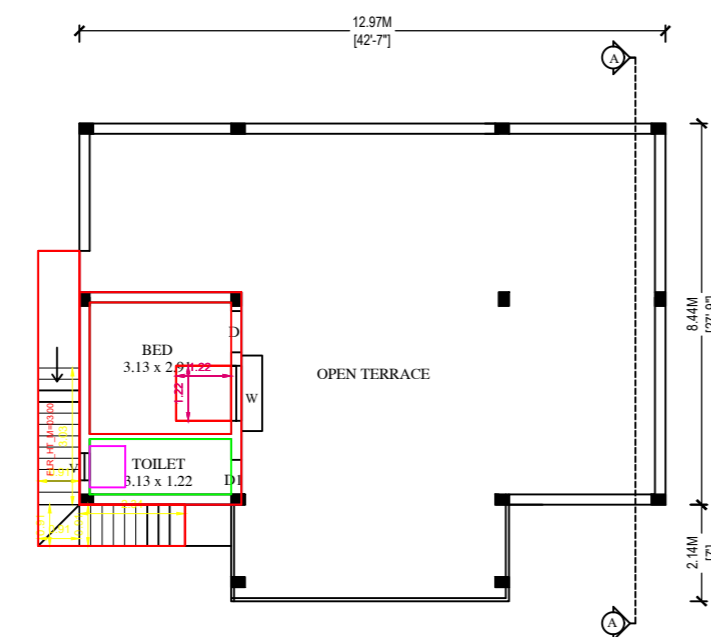
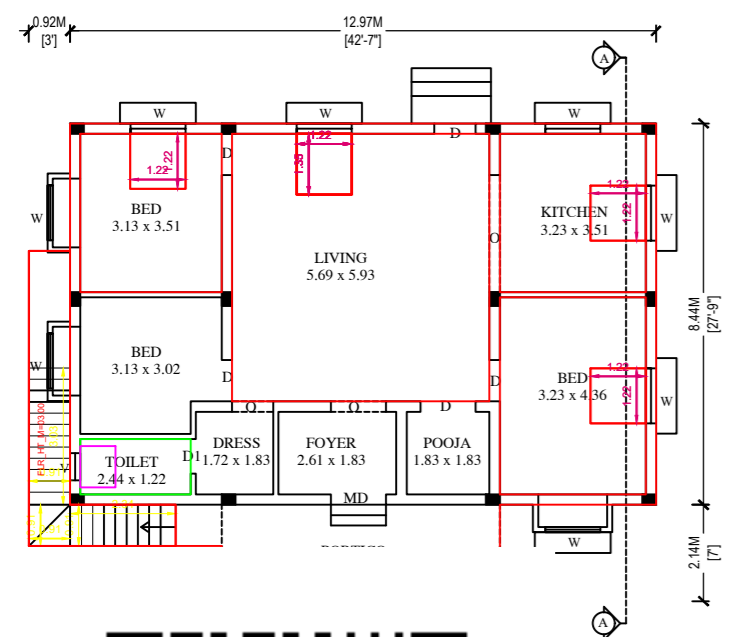
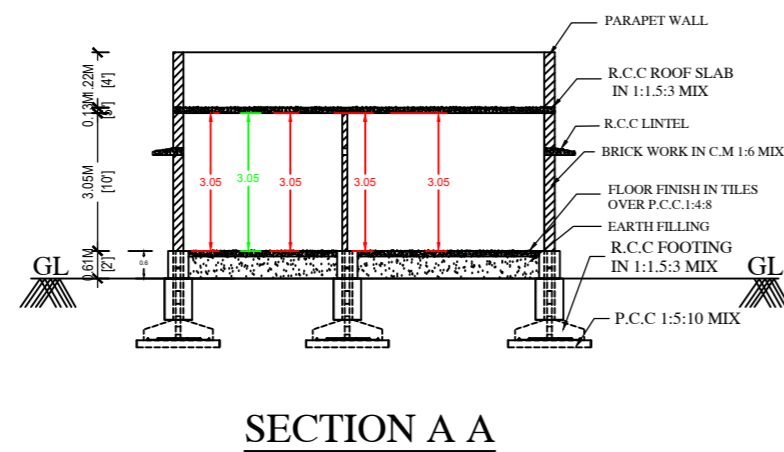
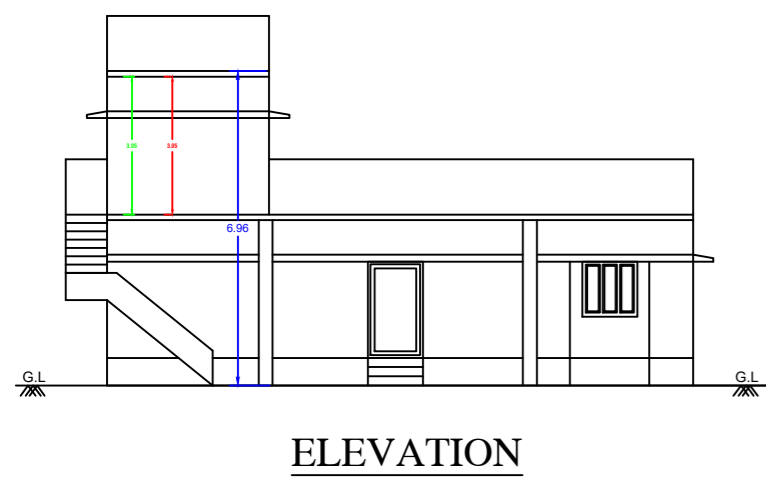
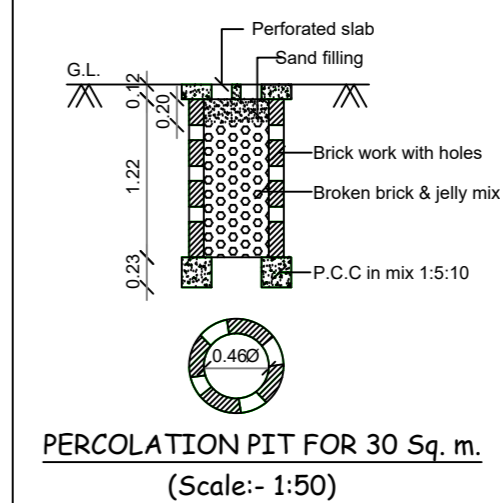
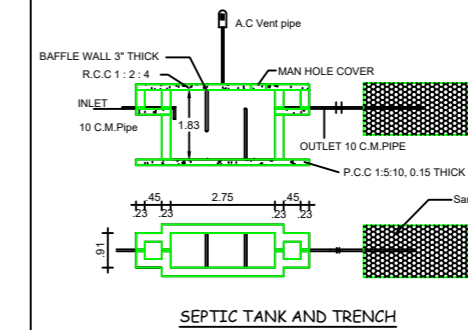


**PLAN SHOWING THE PROPOSED CONSTRUCTION OF GROUND FLOOR AND FIRST FLOOR R.C.C ROOF HOUSE IN , SF.NO: 204 / 3B , PATTA.NO : 4910 , KUVAGAM VILLAGE AND PANCHAYAT , AANDIMADAM UNION AND TALUK , ARIYALUR DISTRICT .**

**APPLICANT NAME :- S. KALIYAPERUMAL , S/O. SAMIDURAL.**



**RAINWATER HARVESTING**



**OFFICE USE :**

AREA DETAILS	SQ.M	SQ.FEET
AREA OF THE SITE	550.00	5918.00
<b>PLINTH AREA</b>		
PRO.GROUND FLOOR	122.61	1319.00
PRO.FIRST FLOOR	16.86	181.00
TOTAL PLINTH AREA	139.47	1500.00
AREA OF OPEN SPACE	427.39	4418.00
<b>PARKING</b>		
CARS SPACE		
TWO WHEELER SPACE		
FSI		0.25
PLOT COVERAGE		22.29%

**DETAILS OF JOINERIES**

MD - DOOR	1.06 X 2.13	W - WINDOW	0.99 X 1.22
D - DOOR	0.91 X 2.13	W1 - WINDOW	1.22 X 1.22
D1 - DOOR1	0.76 X 2.13	W2 - WINDOW	1.52 X 1.22
O - OPEN	0.91 X 2.13		
V - VENTILATOR	0.91 X 0.61		

**COLOUR INDEX**

SITE BOUNDARY	<input type="checkbox"/>
PRO.R.C.C ROOF G.F BUILDING	<input type="checkbox"/>
PRO.R.C.C ROOF F.F BUILDING	<input type="checkbox"/>
RAINWATER STORAGE PIT	<input type="checkbox"/>
ROAD	<input type="checkbox"/>

*Er. Anandaraj*

**APPLICANT:-**

**Er. Anandaraj, M Tech.,**  
Consulting Civil Engineer &  
Licensed Building Surveyor  
**ANAND CONSTRUCTIONS**  
82, INDIRA MARKET,  
THISAIYANVILAI 627 657  
PHONE 272231 CELL 98425 18066.

**REGISTERED ENGINEER:**