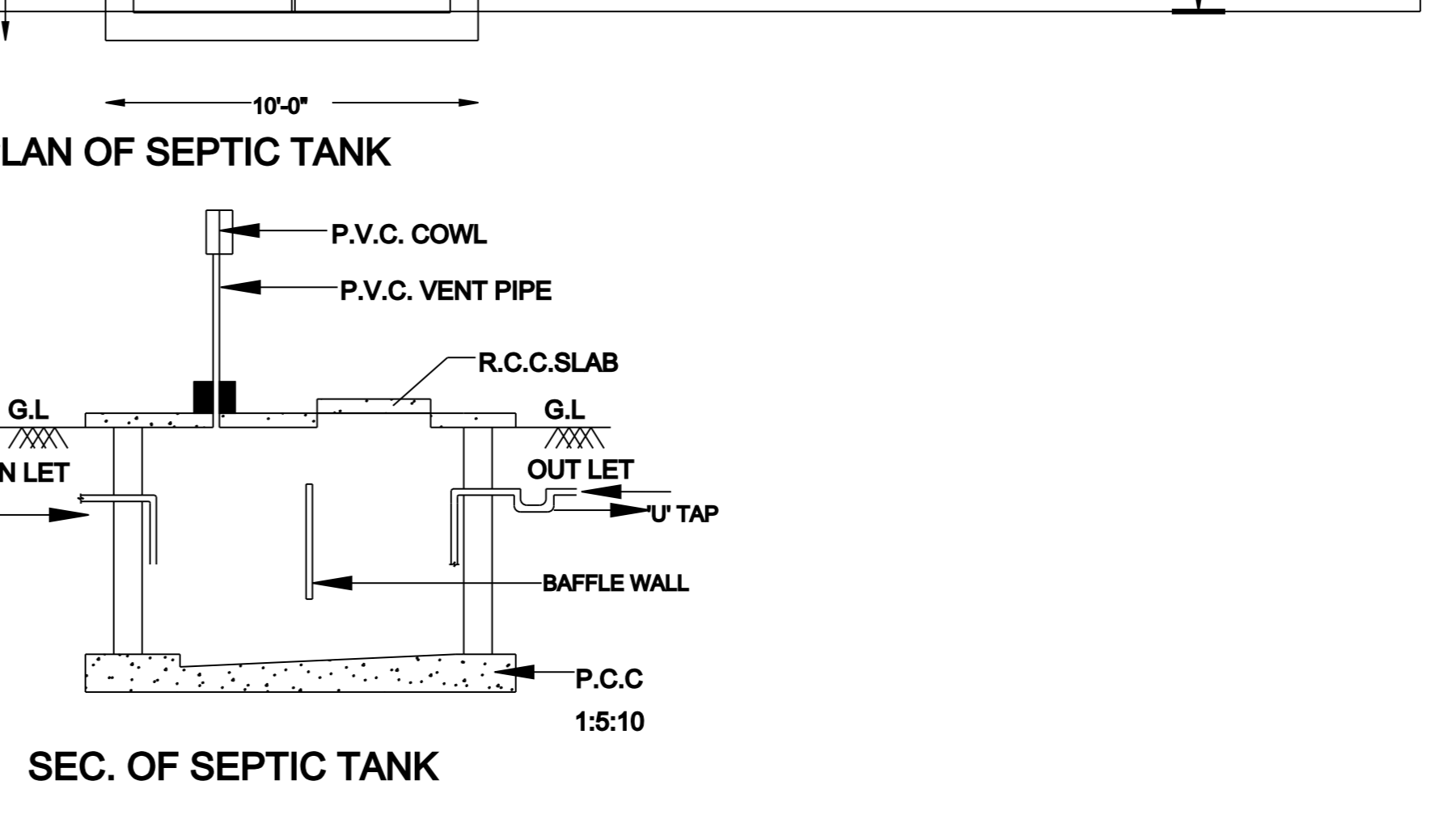
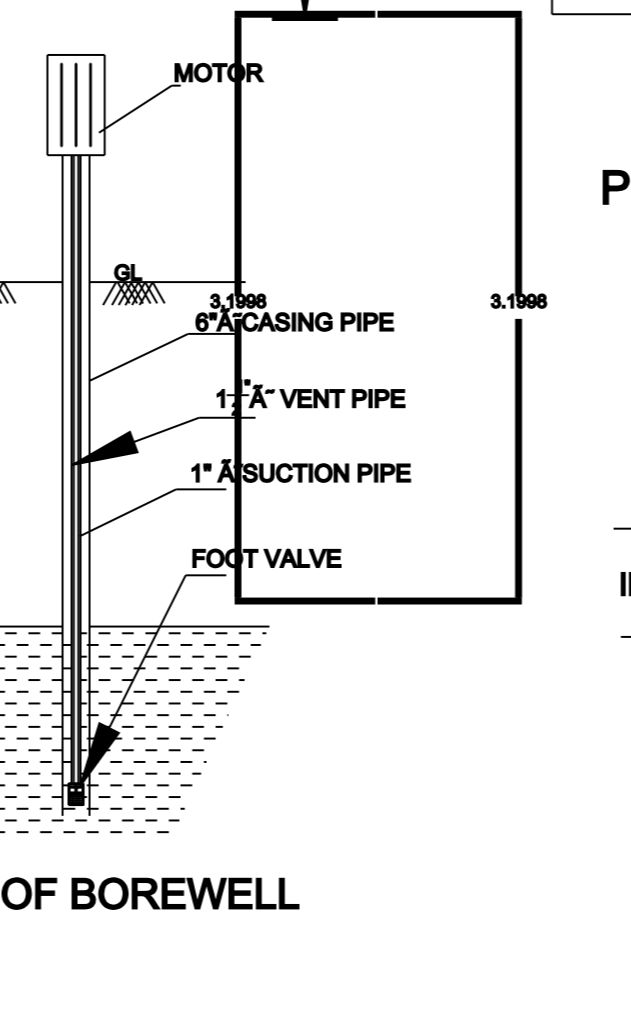
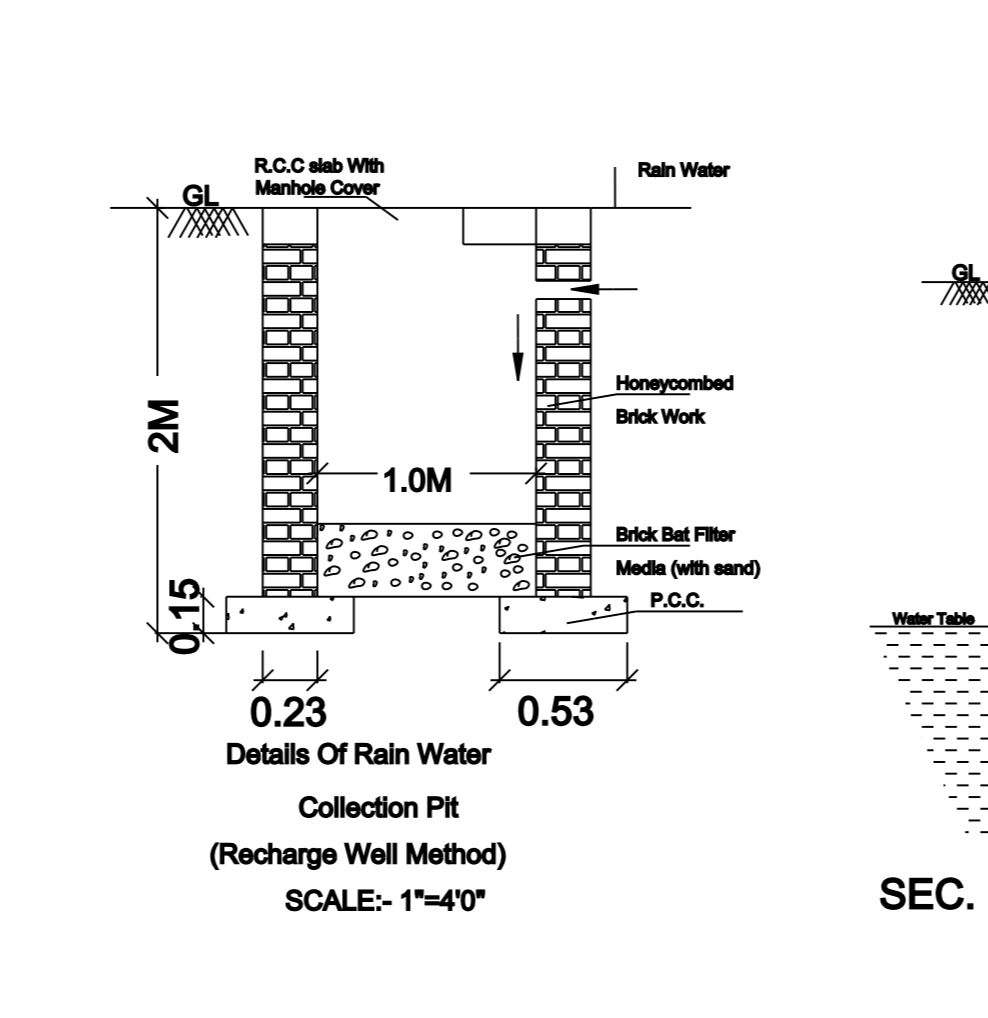
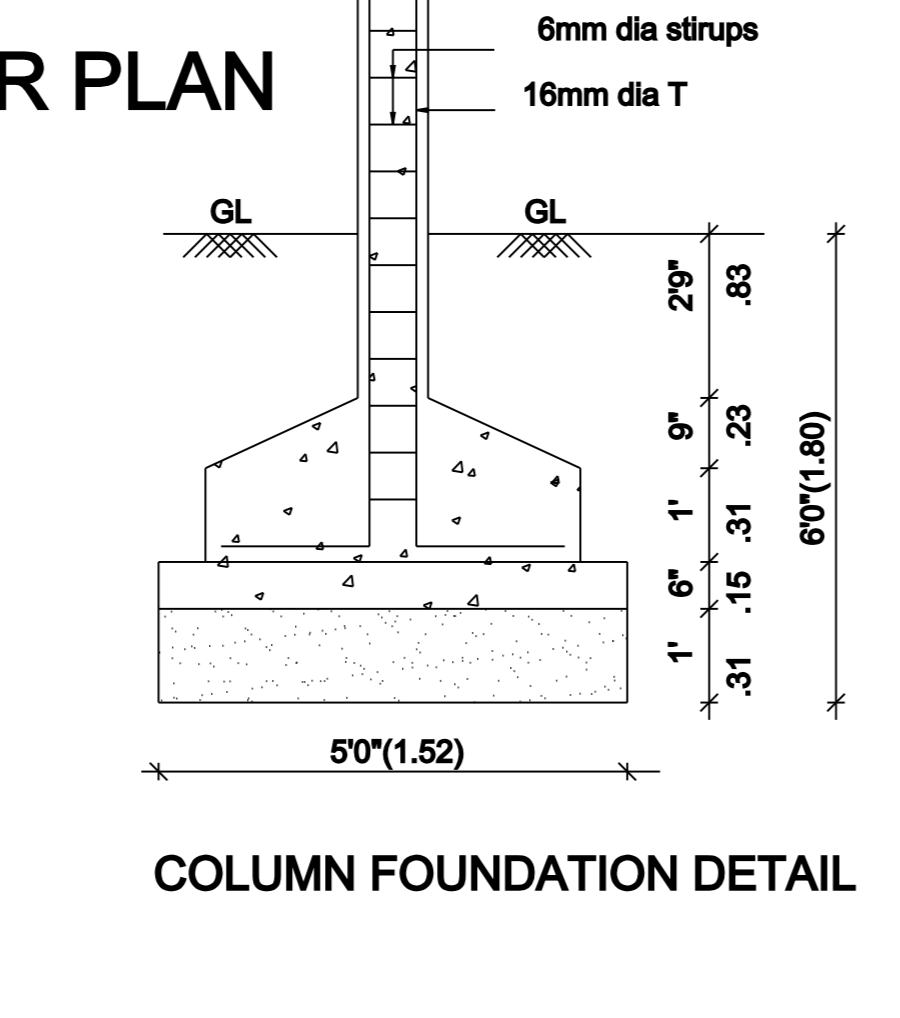
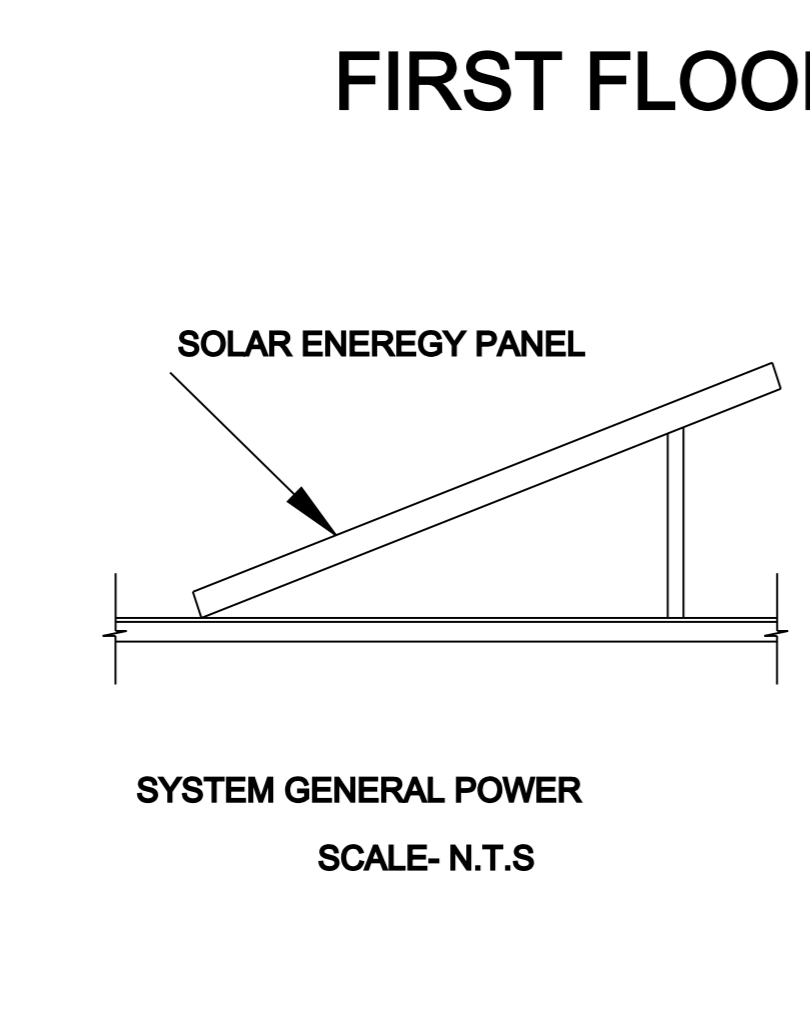
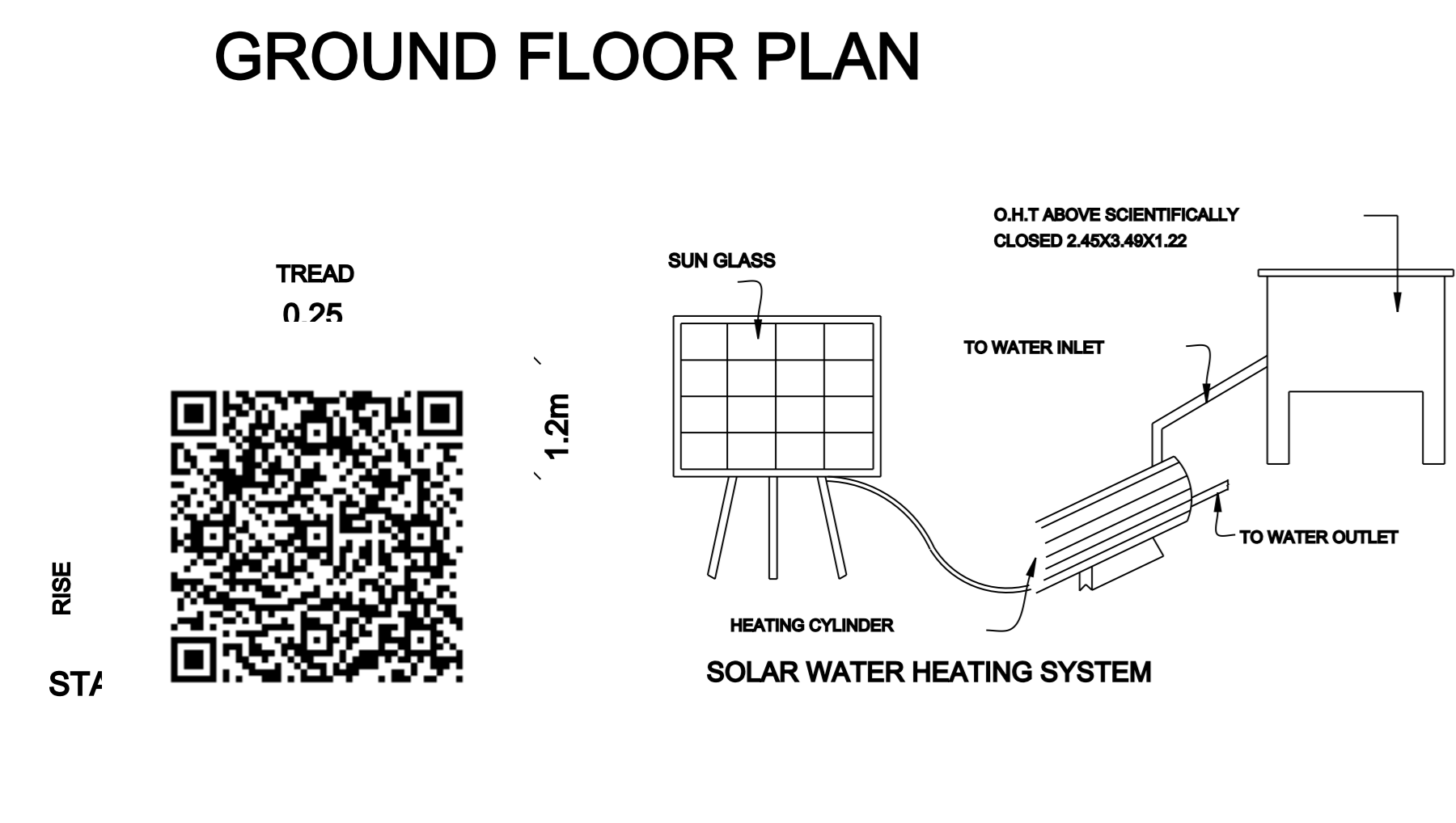
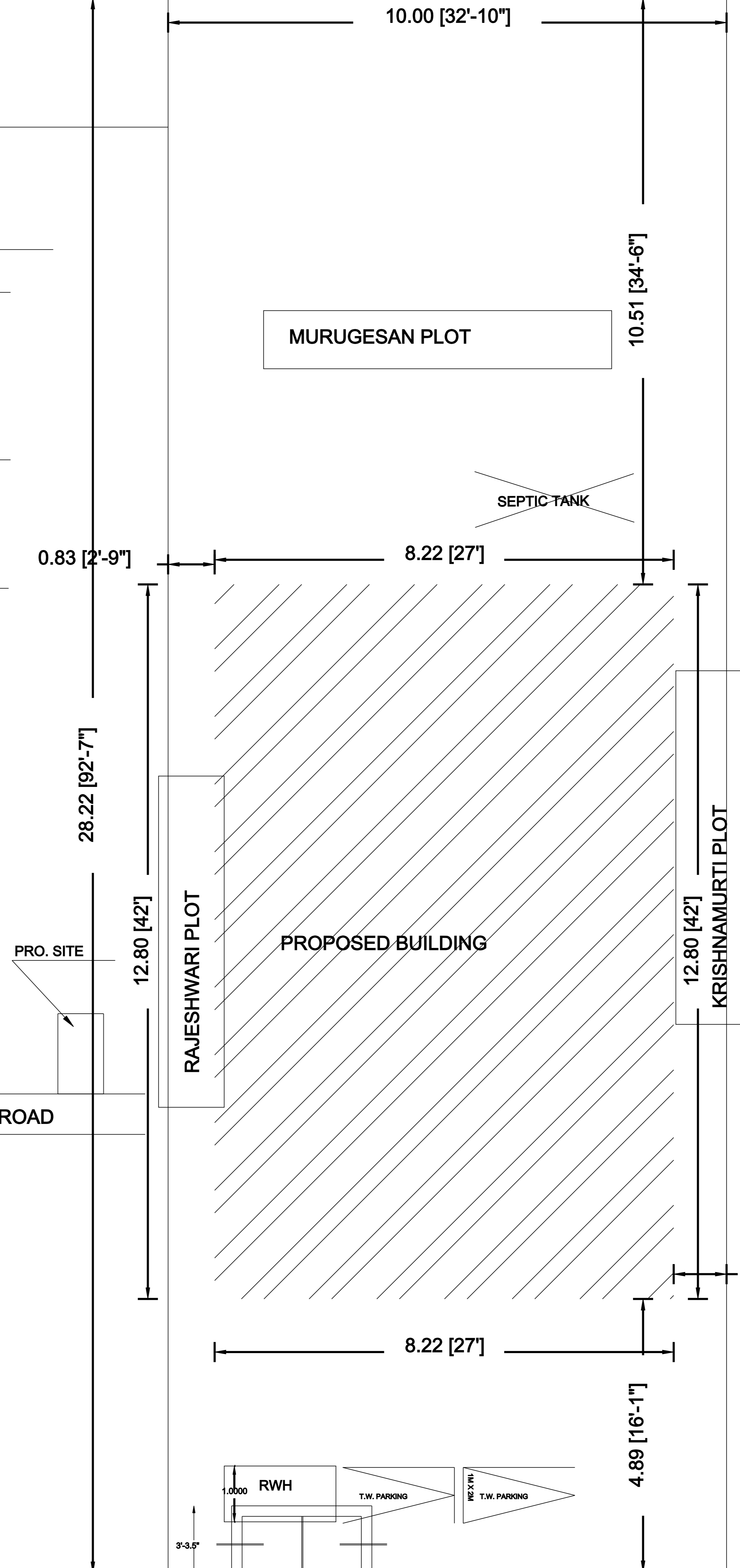
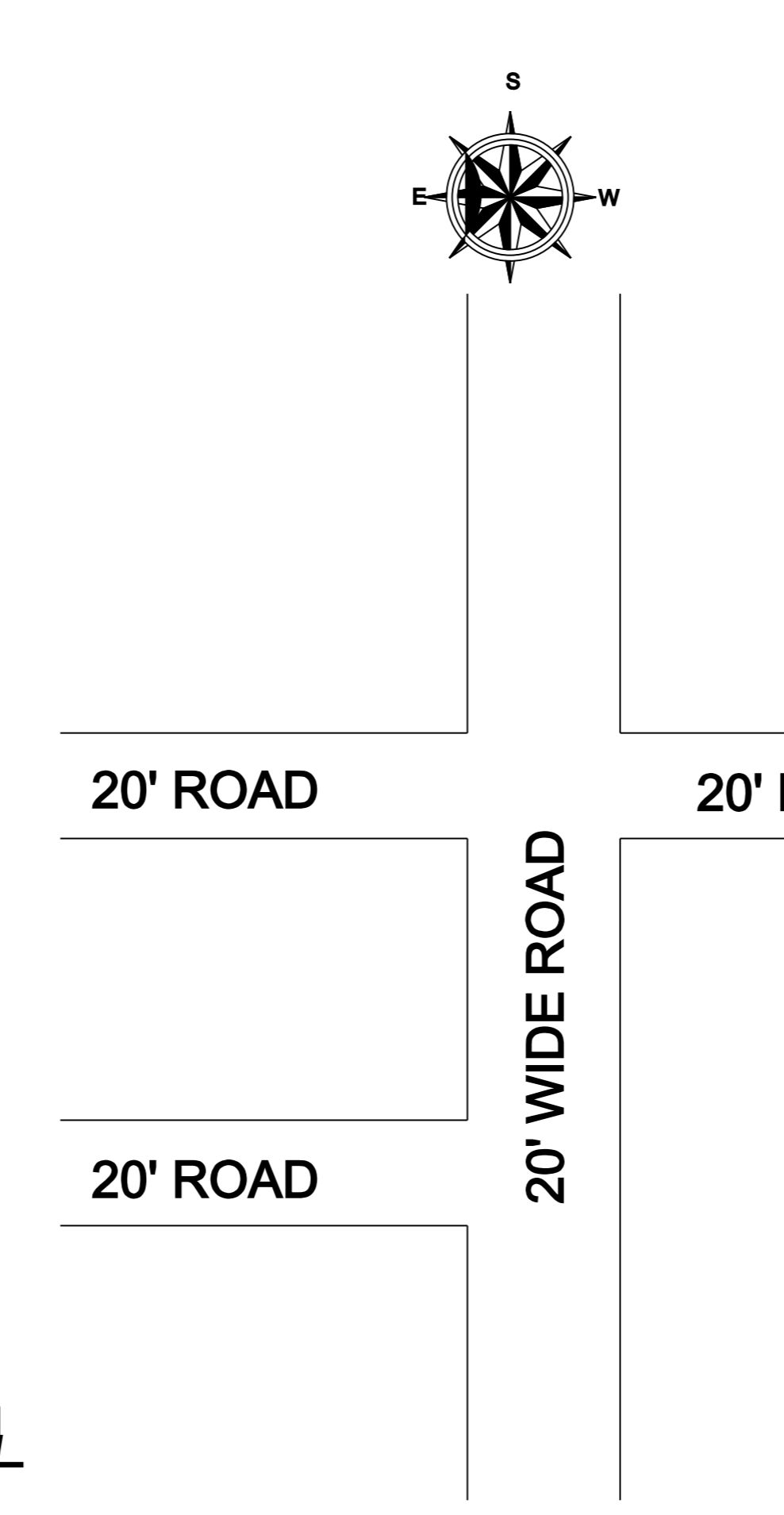
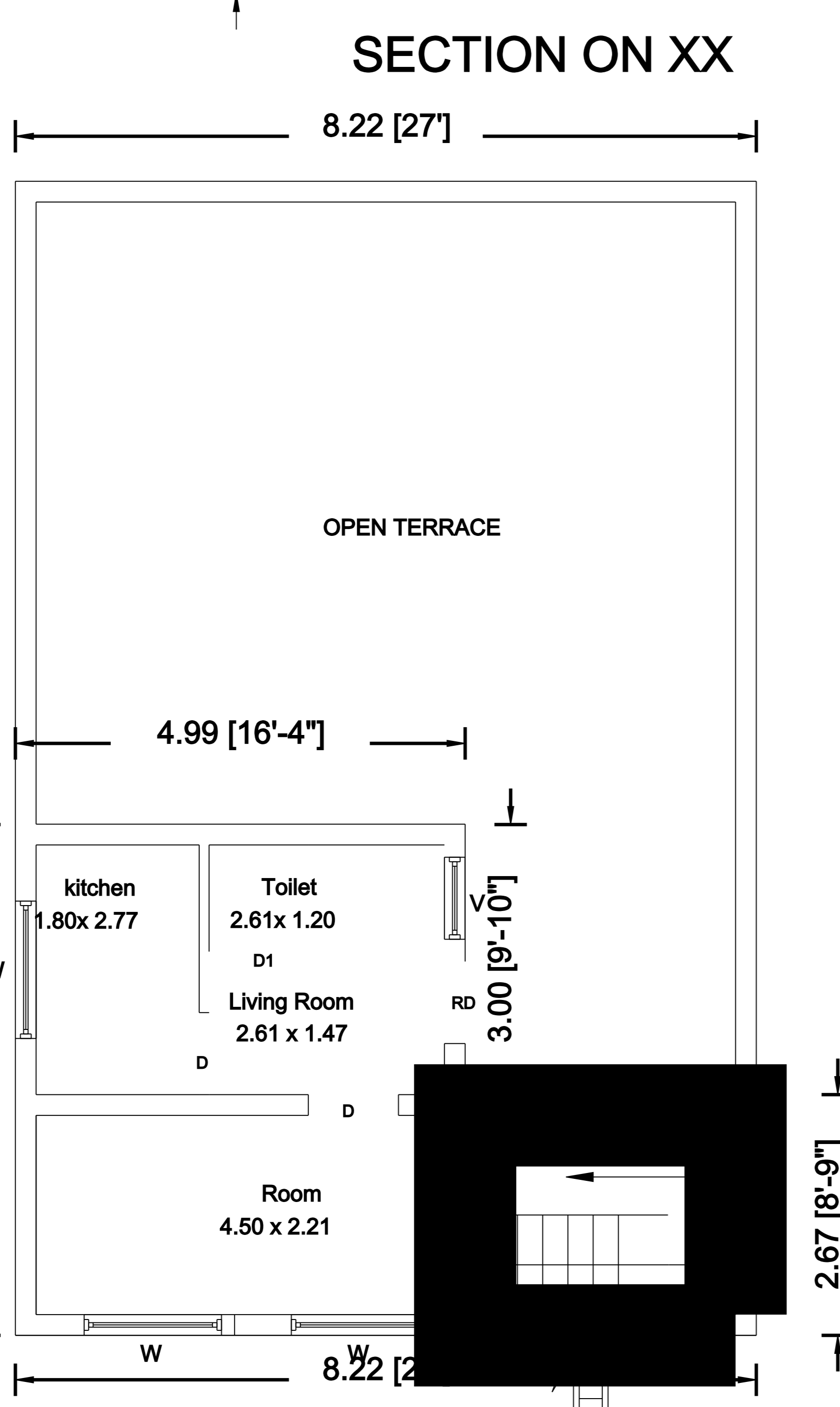
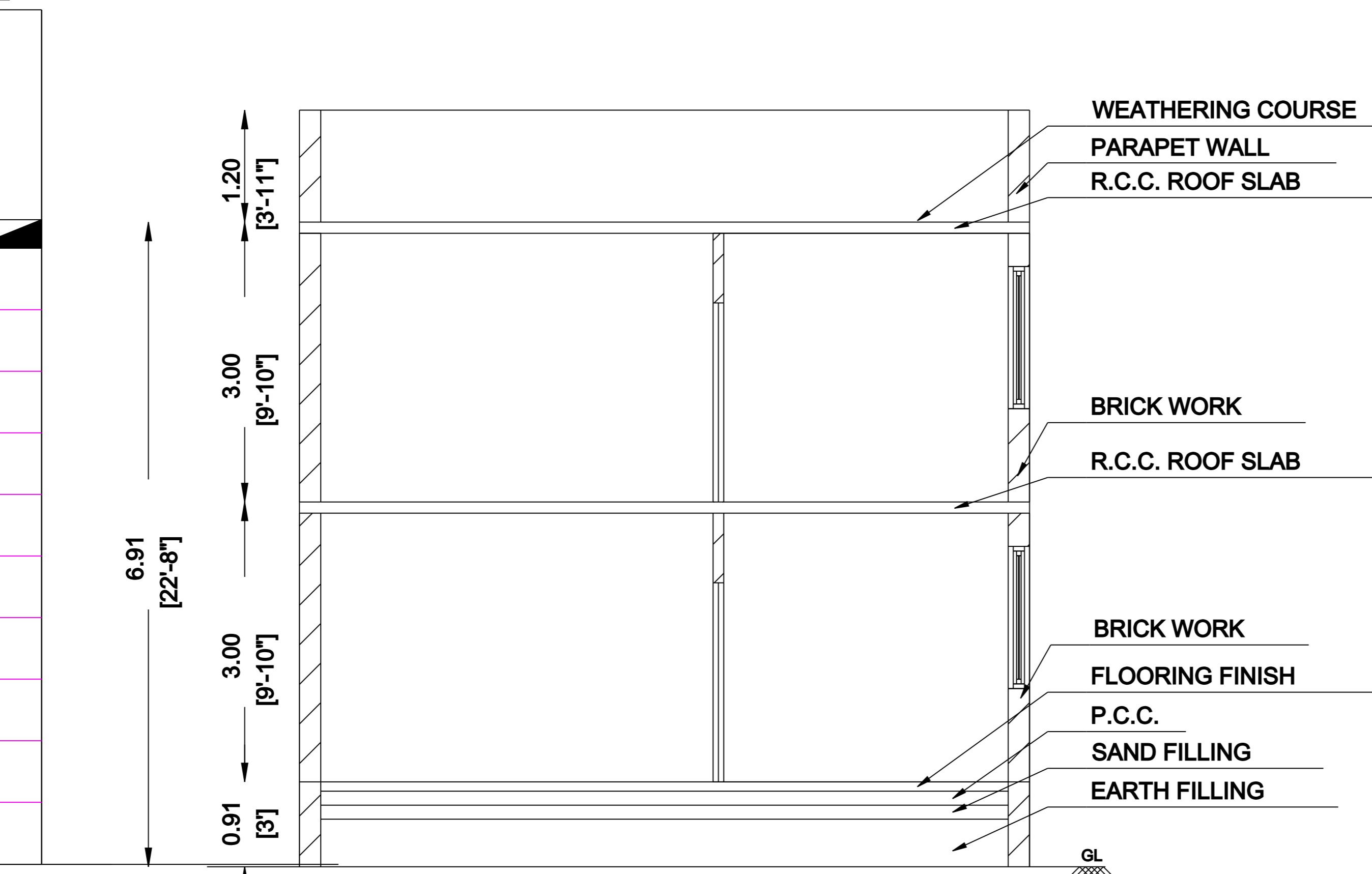
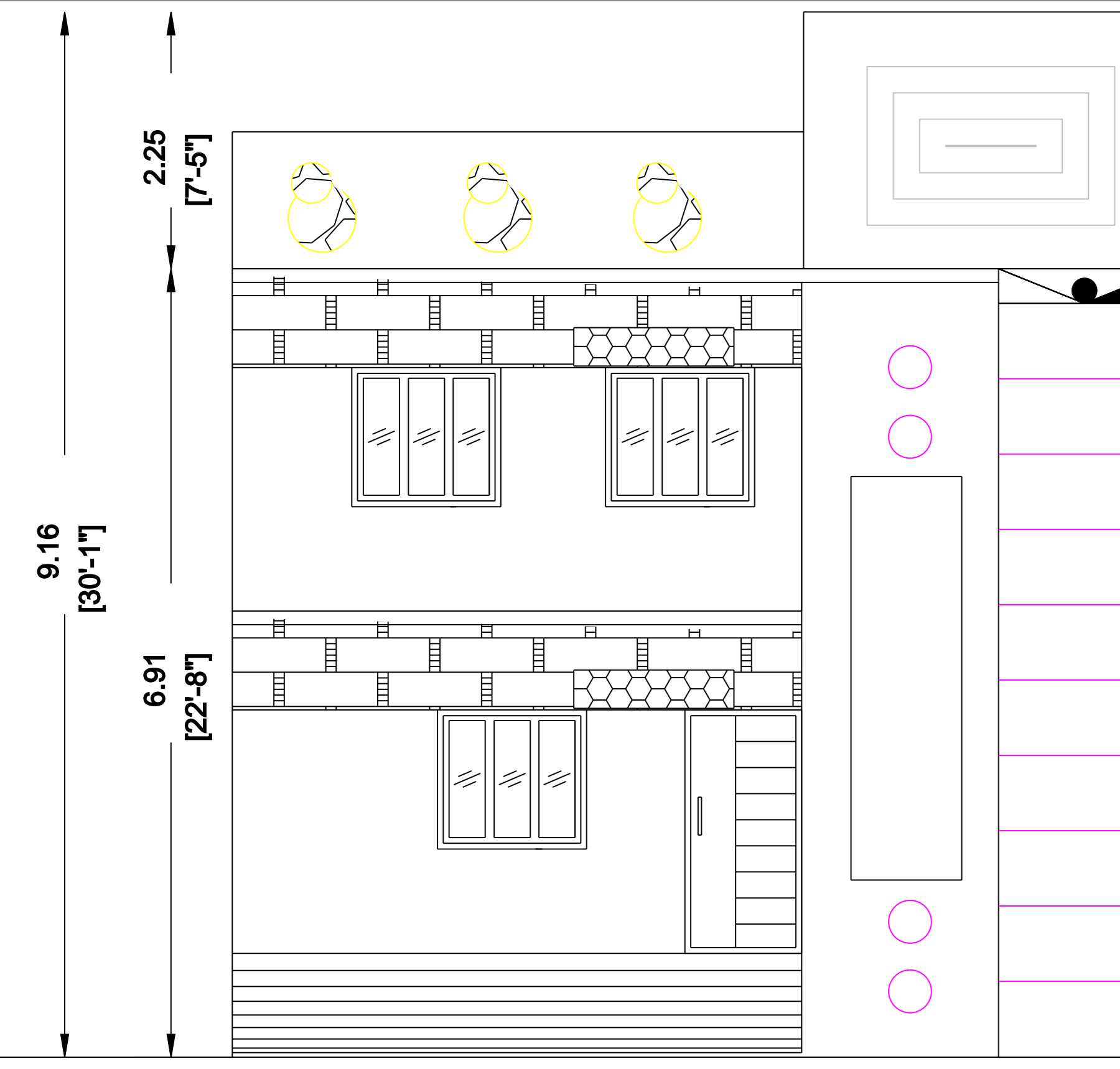


PLAN SHOWING THE PROPOSED GROUND FLOOR, FIRST FLOOR RESIDENTIAL BUILDING
AT SURVEY NO. 244/7A1B (PART), AS PER PATTA NO. 6123, ANDIMADAM VILLAGE,
ANDIMADAM PANCHAYAT, AANDIMADAM (TK), ARIYALUR (DT).

Applicant Name : Mrs.SUMATHI, D/O DURAIRAJ



OFFICE USE

AREA STATEMENT

DESCRIPTION	SQ.FT	SQ.M
SITE EXTENT	3035.16	282.00
PRO. GROUND FLOOR	1131.33	105.16
PRO. FIRST FLOOR	397.26	36.91
OPEN SPACE	1903.83	176.88

SCHEDULE OF JOINERIES

TYPE	DESCRIPTION	SIZE
MD	MAIN DOOR	1.00X2.13
D1	DOOR	0.91X2.13
D2	DOOR	0.76X2.13
W	WINDOW	1.52X1.52
KW	KITCHEN WINDOW	1.52X0.91
V	VENTILATOR	0.91X0.61

APPLICANT / OWNERS SIGNATURE

Mrs.sumathi,

REGISTERED ENGINEER / LICENSED SURVEYOR

0.95 [3'-1"]