

OWNER:

*W-01485*

ENGINEER:

*[Signature]*

Er. R.MUTHU, B.Sc., DCE  
LICENSED SURVEYOR  
ARIYALUR MUNICIPALITY,  
REG.No.090/LS/2020/0007  
124 A1, NEW MARKET STREET  
ARIYALUR - 621 704,  
MOBILE: 93946 - 77198

REFERENCE :

MAIN DOOR	MD	1.20X2.10
C.W. DOOR	D1	1.00X2.10
C.W. DOOR	D2	0.80X2.10
C.W. WINDOW	W	1.20X1.52
C.W. VENTILATOR	V	0.90X0.60

AREA STATEMENT: RESIDENTIAL

PROPOSED BUILDING	FLOOR-GROUND
PLINTH AREA	: 112.91 SQ.M
CARPET AREA	: 76.34 SQ.M
PLOT AREA	: 725.00 SQ.M
OPEN AREA	: 612.09 SQ.M

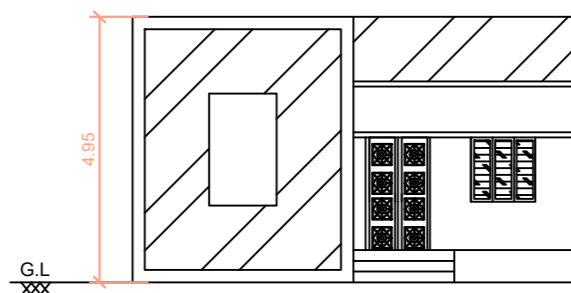
APPROVED BY:



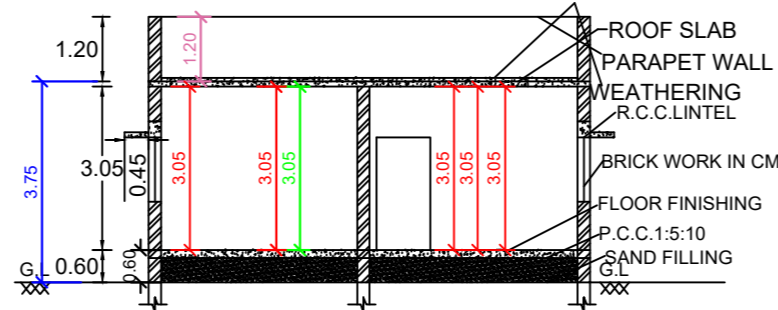
PLAN SHOWING THE PROPOSED CONSTRUCTION OF A GROUND FLOOR RESIDENTIAL BUILDING IN AS PER DOCUMENT.SF.NO:50/8A, AS PER PATTASF.NO:50/8A2,  
AT VALAJANAGARAM VILLAGE AND PANCHAYATH, ARIYALUR TALUK AND DISTRICT.

OWNER NAME : THIRU : ALAGIRI

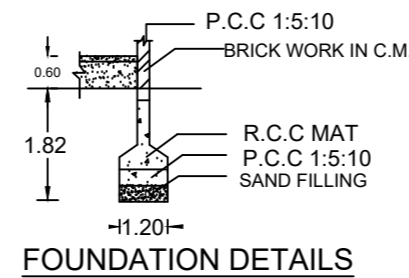
S/O, THIRU: VEERAMUTHU.



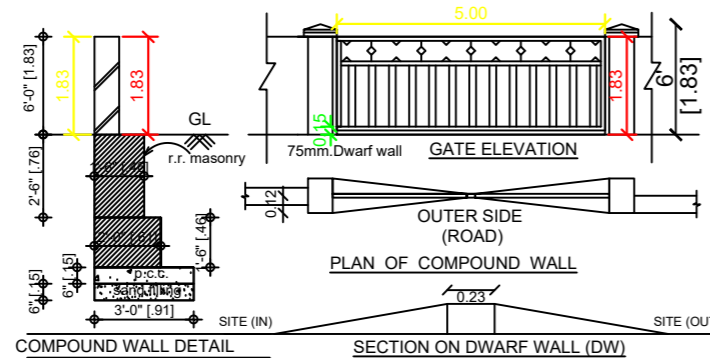
FRONT ELEVATION



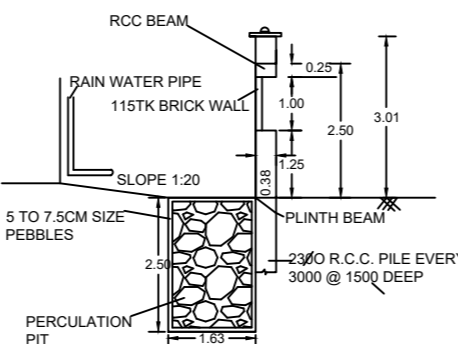
SECTION ON SS



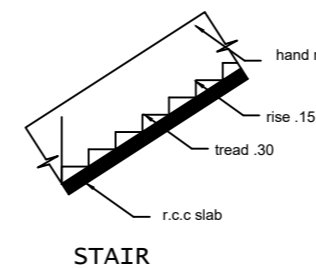
FOUNDATION DETAILS



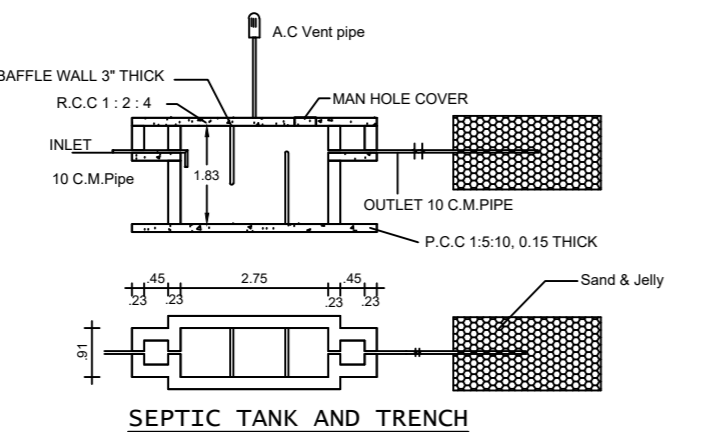
PLAN OF COMPOUND WALL



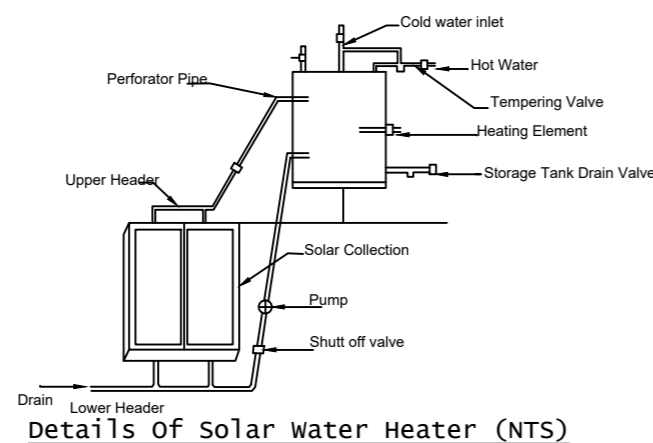
RAINWATER HARVESTING



STAIR

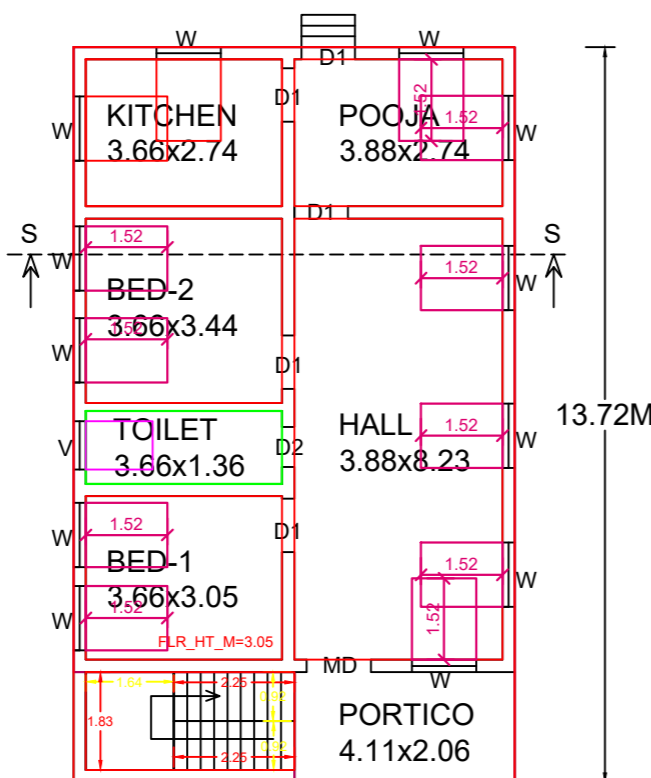


SEPTIC TANK AND TRENCH

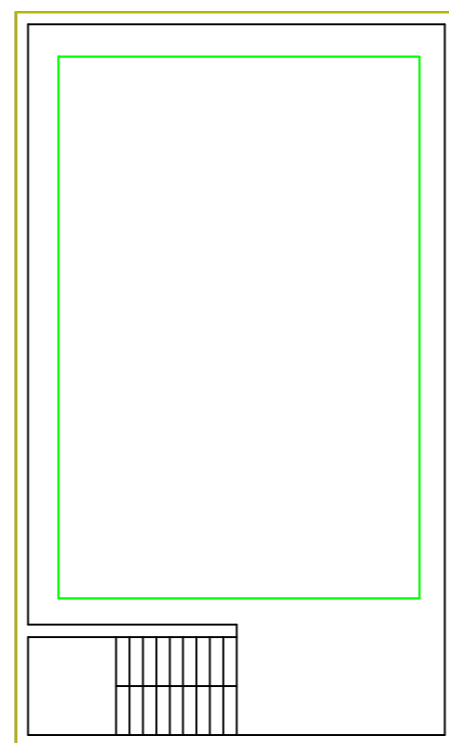


Details of solar water Heater (NTS)

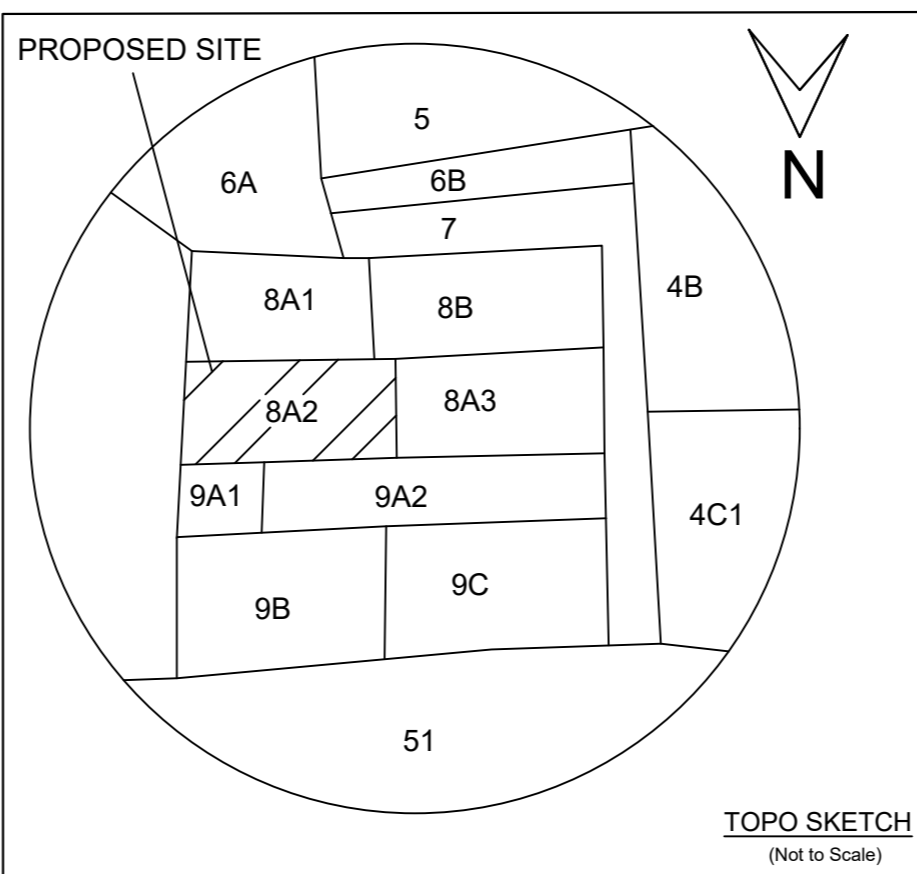
8.23M



GROUND FLOOR



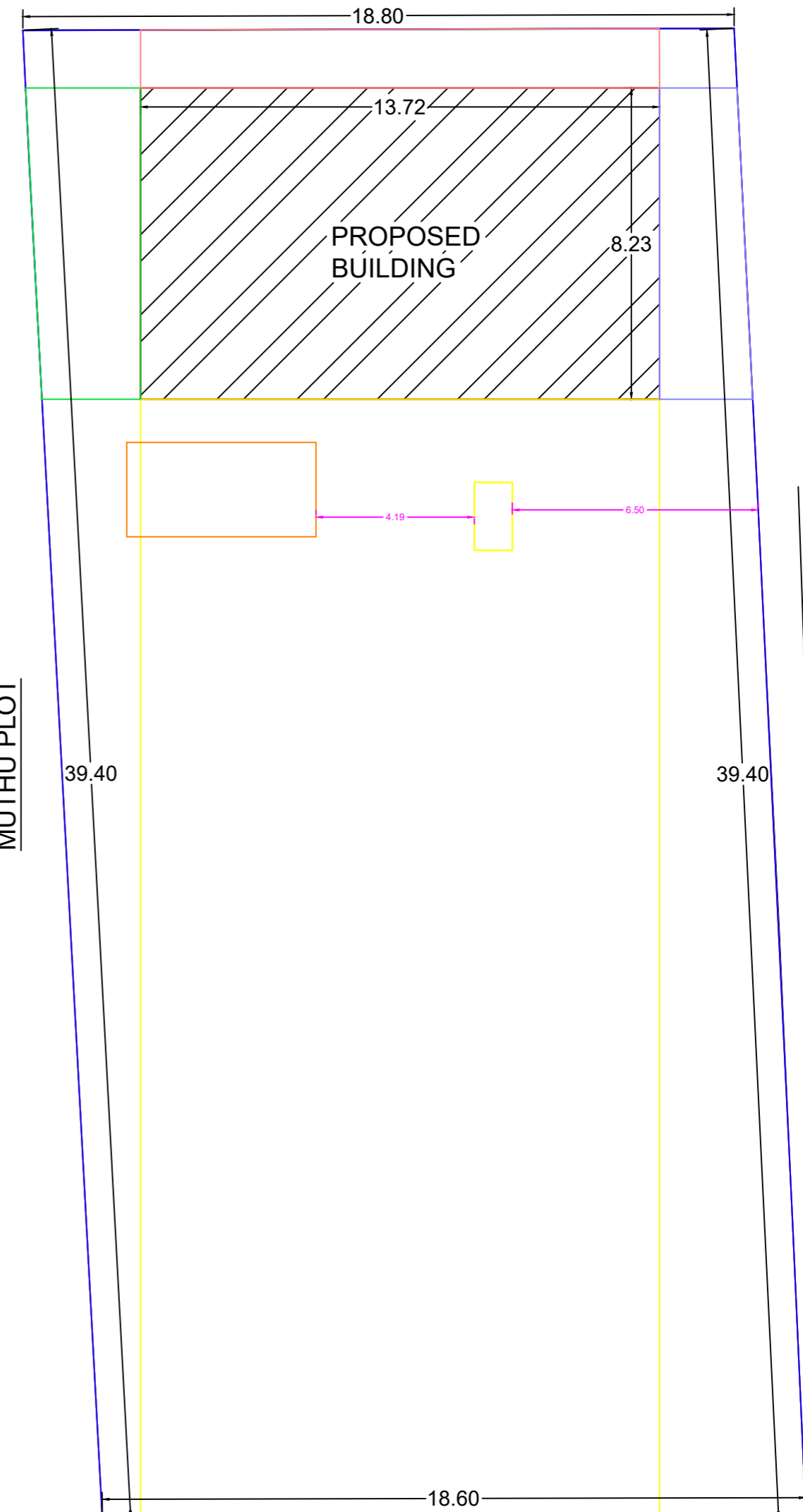
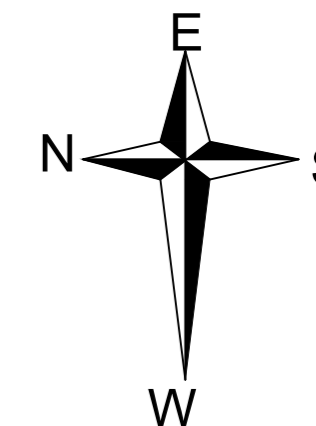
TERRACE FLOOR



TOPO SKETCH  
(Not to Scale)

SITE PLAN 1:100 SCALE

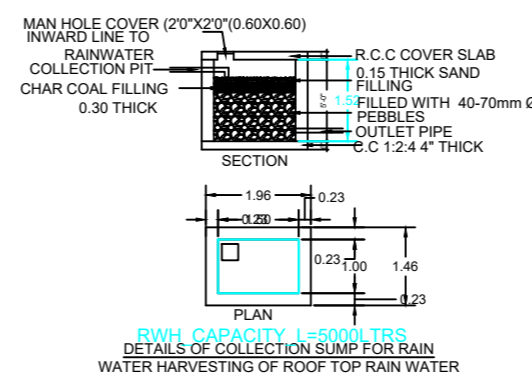
PUGAZHENTHI PLOT



MUTHU PLOT

BANUMATHI, KUMAR, SURESH, SIVASANKARAN PLOT

VALAJANAGARAM VILLAGE ROAD



DETAILS OF COLLECTION SUMP FOR RAIN WATER HARVESTING OF ROOF TOP RAIN WATER